



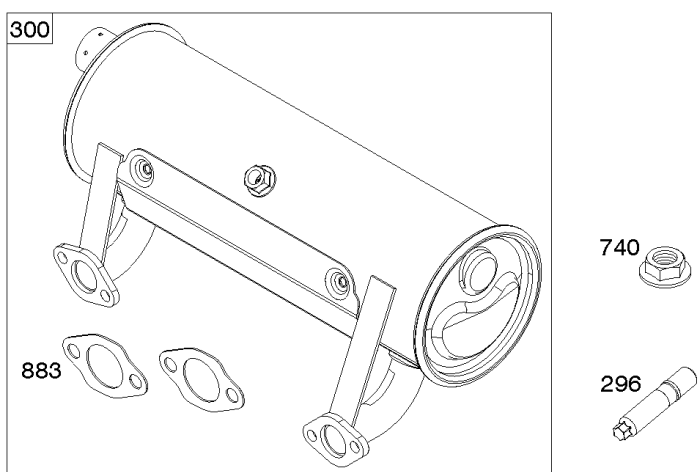
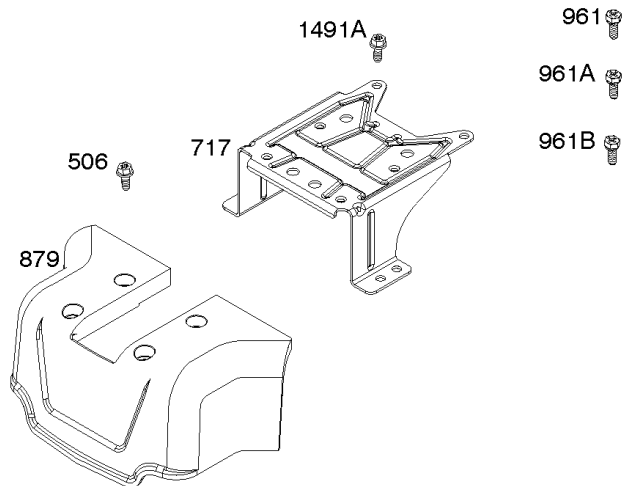
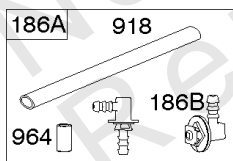
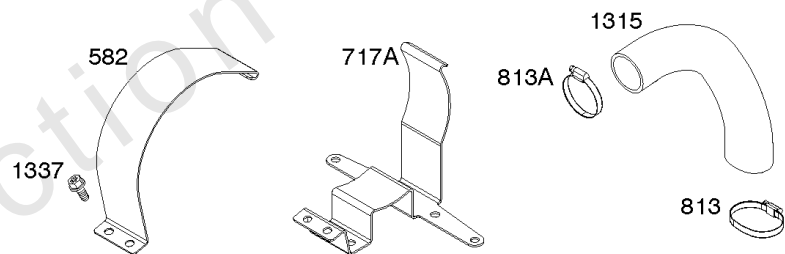
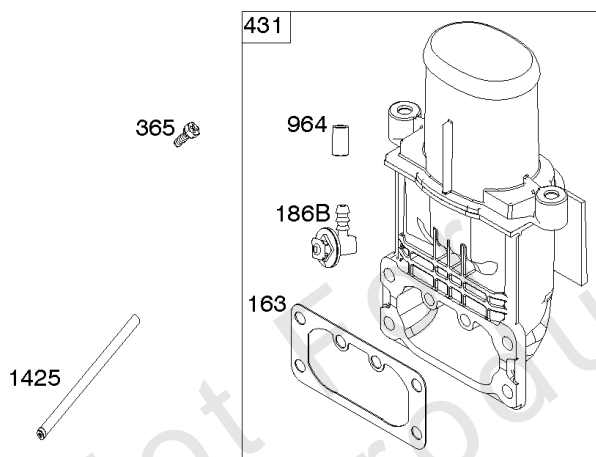
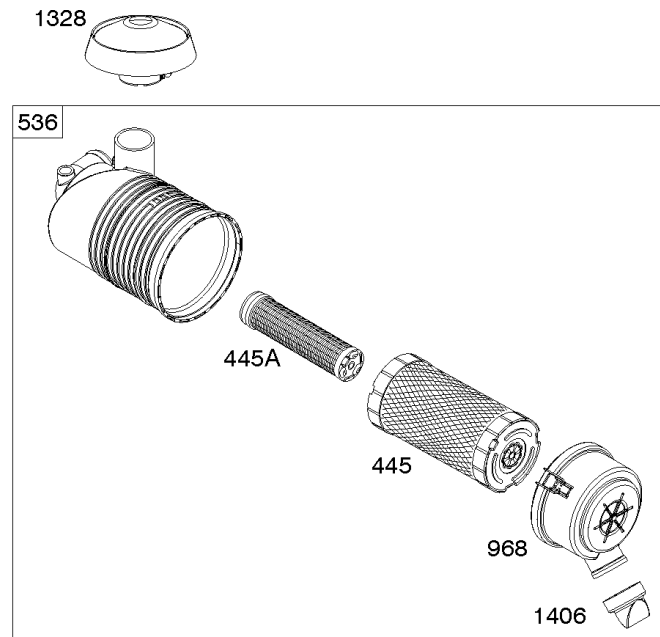
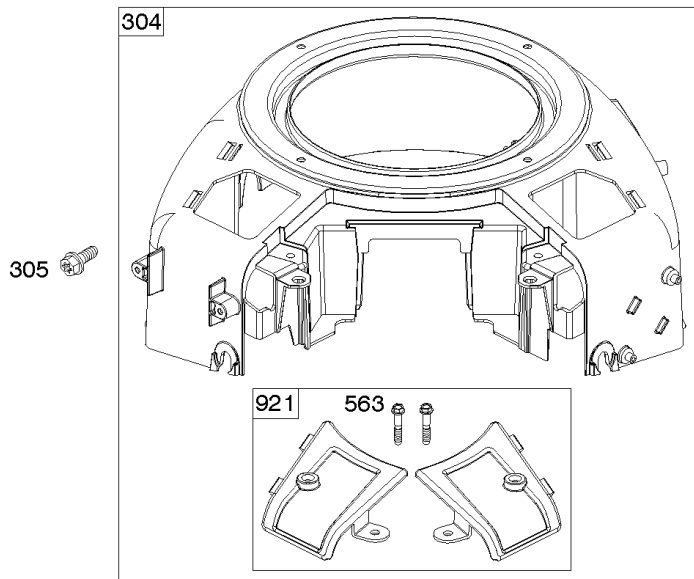
# Parts Manual

Mfg. No: 49E777-0001-G1



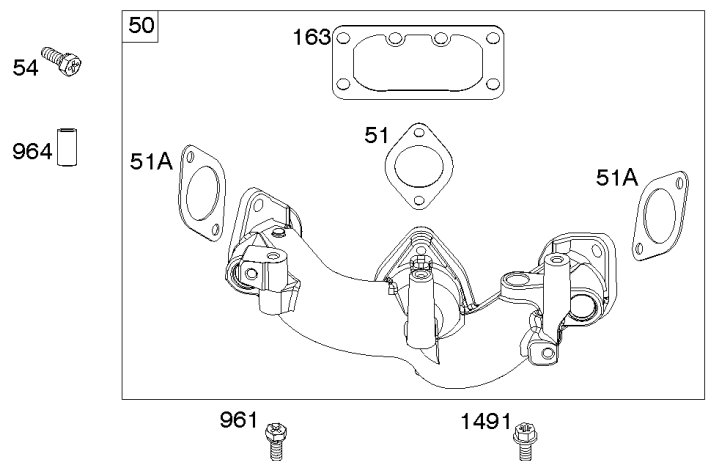
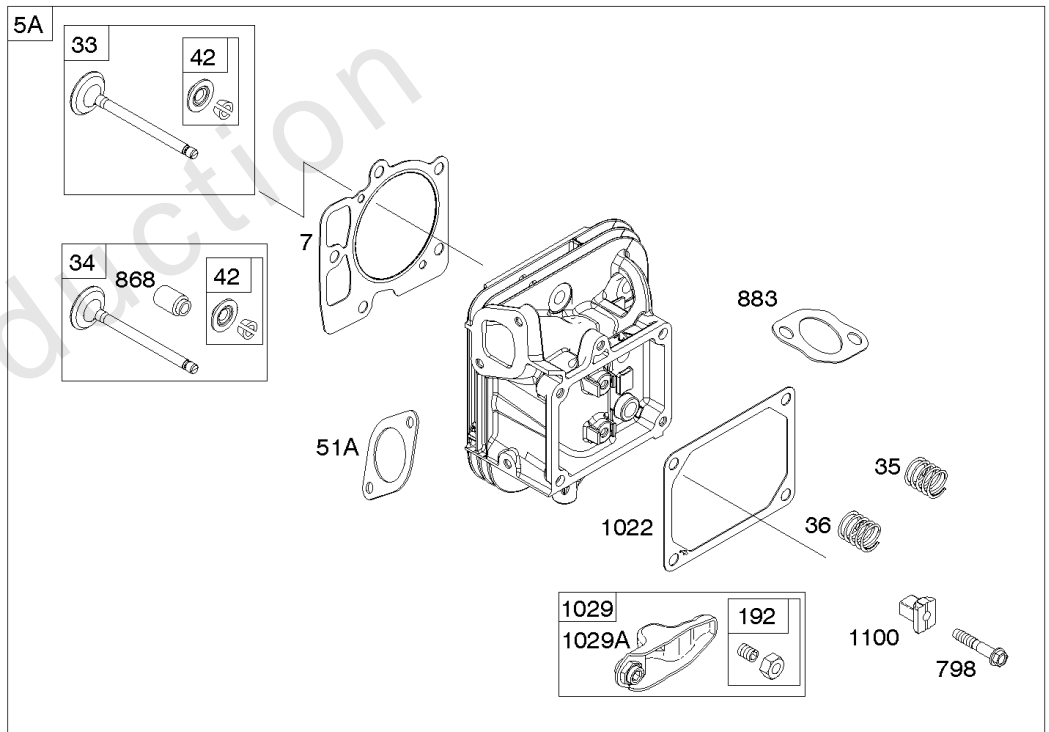
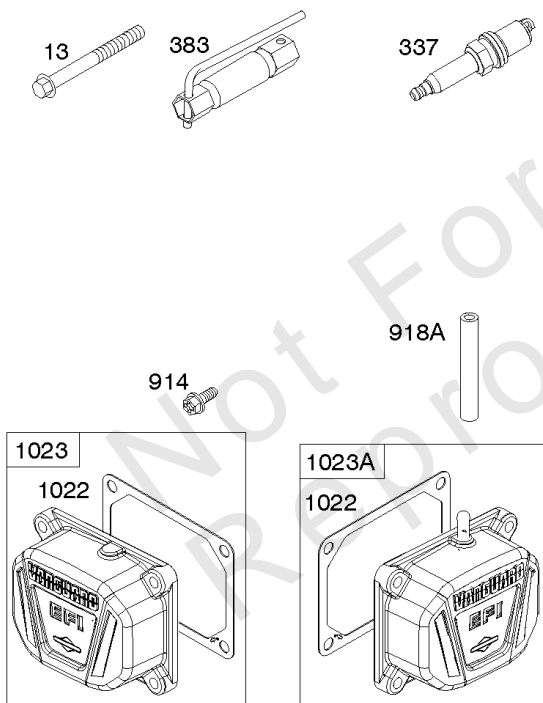
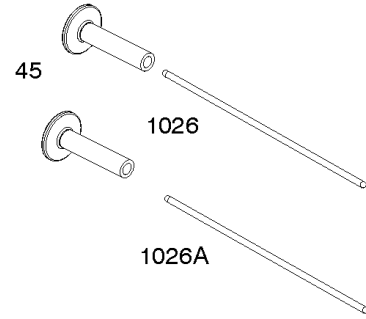
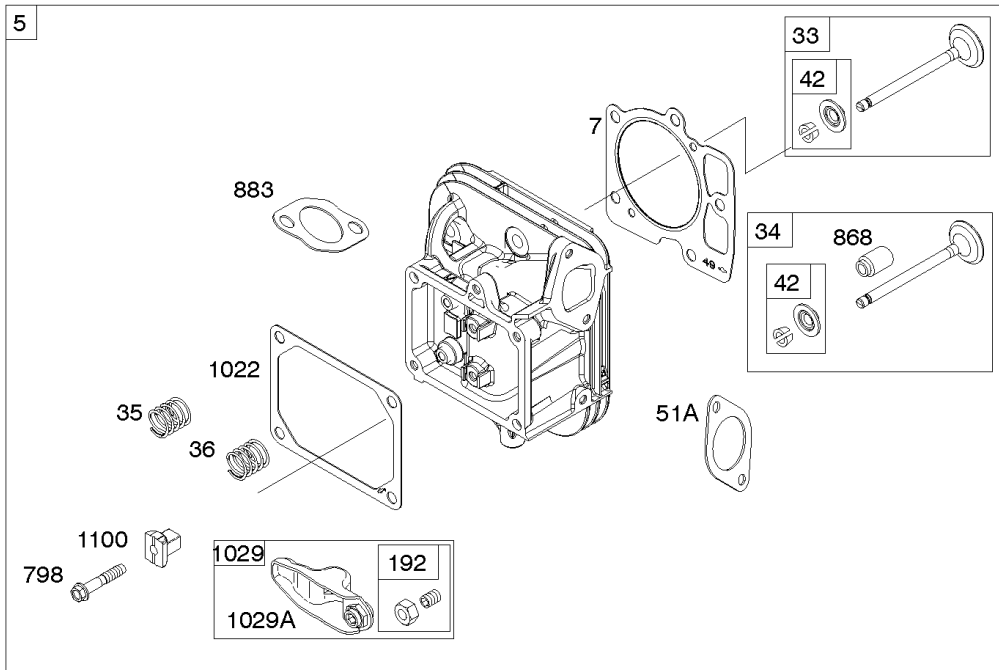
<b>Model Components</b>	<b>Page</b>
Blower Housing, Air Cleaner, Muffler. ....	4
Cylinder Head, Rocker Arm Cover, Intake Manifold. ....	6
Cylinder, Crankshaft, Camshaft, Air Guides. ....	8
Engine Gasket Set, Valve Gasket Set. ....	12
Engine Sump, Oil Pump, Dipstick/Tube Assembly. ....	14
Flywheel, Alternator, Starter. ....	16
Replacement Engine - US & Canada. ....	18
Throttle Body, Fuel Supply. ....	19
Wire Harness, Electronic Control Module. ....	23
Model 40, 44 & 49 Engine Accessories Catalog. ....	25
Maintenance Kits. ....	26
Engine Mounted Below Deck Mufflers. ....	28
Engine Mounted Above Deck Mufflers. ....	30
Spark Arrester/Deflector. ....	32
Lubrication. ....	34
Implement Mounted Above Deck Mufflers. ....	36
Exhaust/Muffler Configurations. ....	38
Electrical. ....	40
Flywheel Guards. ....	42
Speed Control. ....	44
Muffler Mounting Hardware. ....	46

Not For  
Reproduction



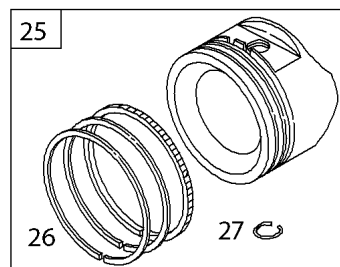
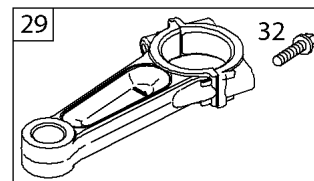
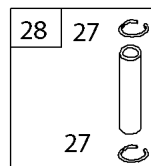
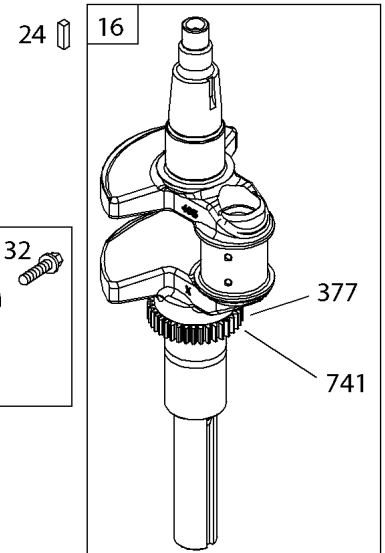
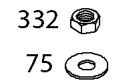
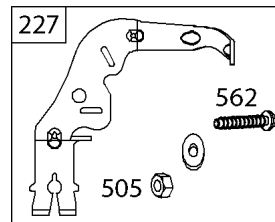
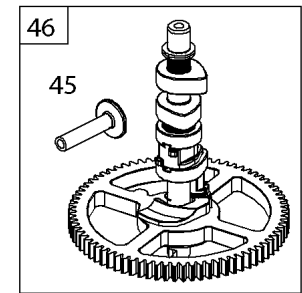
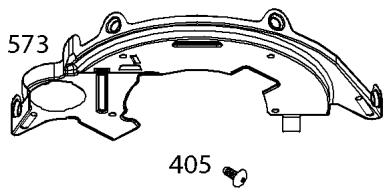
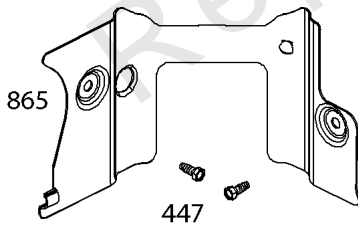
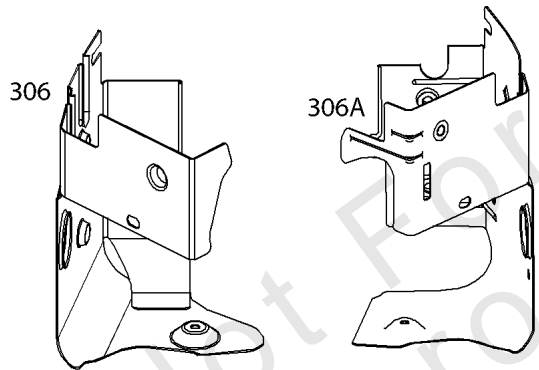
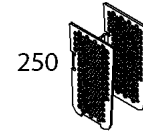
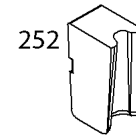
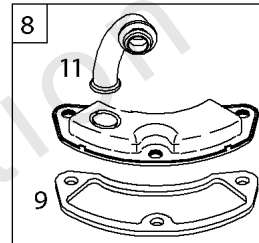
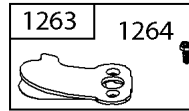
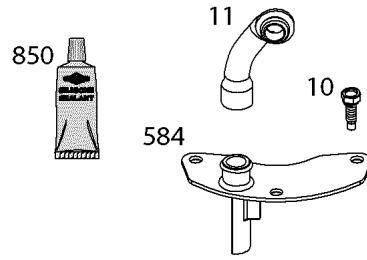
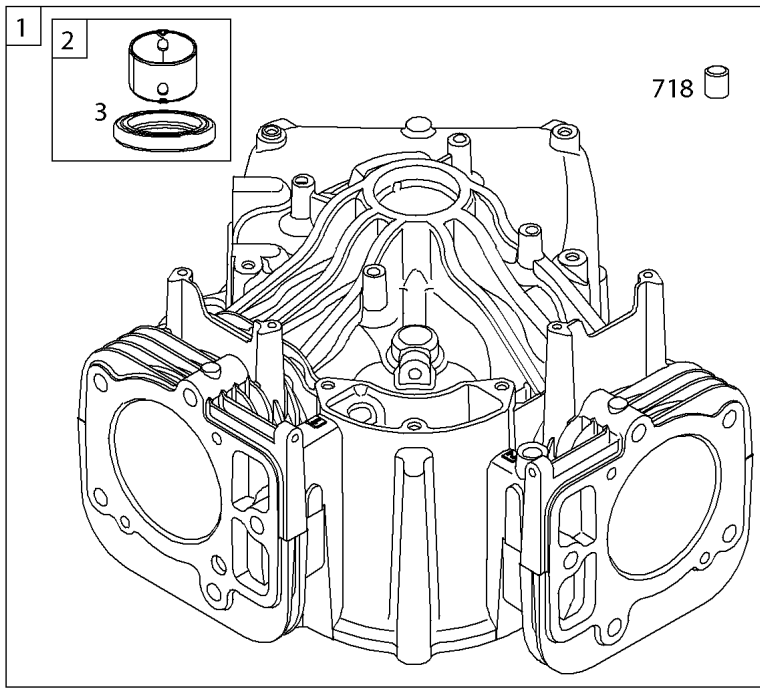
## Blower Housing, Air Cleaner, Muffler

REF NO	PART NO	QTY	DESCRIPTION
163	691001		GASKET, Air Cleaner
186A	845141		CONNECTOR, Hose -(EVAP)
186B	593880		CONNECTOR, Hose -(EVAP)
296	591756		STUD -(Muffler)
300	593876		MUFFLER -(Right Outlet) -Used Before Code Date 21062800
300	593877		MUFFLER -(Left Outlet)
304	593622		HOUSING, Blower
305	691005		SCREW -(Blower Housing)
365	699816		SCREW -(Carburetor)
431	593630		ELBOW, Intake
445	841497		FILTER, A/C Cartridge
445A	821136		FILTER, A/C Cartridge
506	690297		SCREW -(Carburetor Cover)
536	593626		CLEANER, Air
563	698425		SCREW -(Debris Screen Guard)
582	593618		CLAMP, Air Cleaner
717	593619		BRACKET, Air Cleaner
717A	593620		BRACKET, Air Cleaner
740	690941		NUT -(Muffler Bracket) -Used Before Code Date 21062800
813	593624		CLAMP
813A	593625		CLAMP
879	593621		COVER, Carburetor/EFI
883	594365		GASKET, Exhaust -Used Before Code Date 21062800
918	799160		HOSE, Vacuum -(Length 9.4 Inches)
921	593629		COVER, Blower Housing
961	691108		SCREW -(Air Cleaner Bracket)
961A	593616		SCREW -(Air Cleaner Bracket)
961B	593617		SCREW -(Air Cleaner Bracket)
964	799159		CAP, Connector
968	593627		COVER, Air Cleaner
1315	593623		HOSE, Air Cleaner
1328	809907		CAP, A/C Rain
1337	593616		SCREW -(Air Cleaner Clamp)
1406	593628		VALVE, Debris
1425	845717		HOSE, Purge Line
1491A	593616		SCREW -(Throttle Body)



## Cylinder Head, Rocker Arm Cover, Intake Manifold

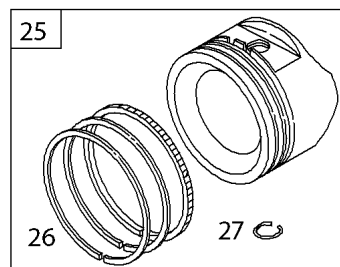
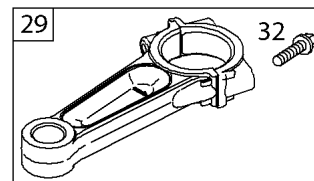
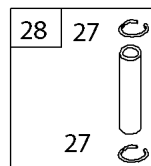
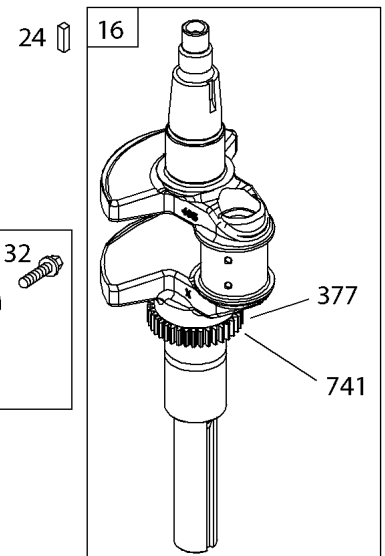
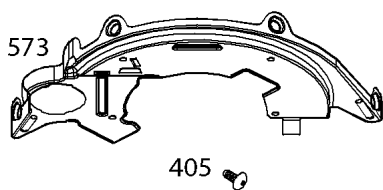
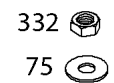
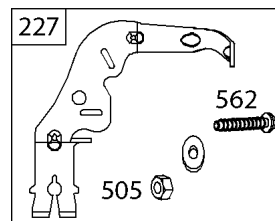
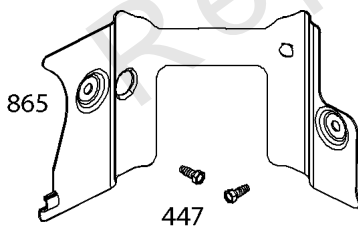
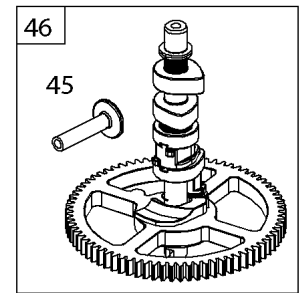
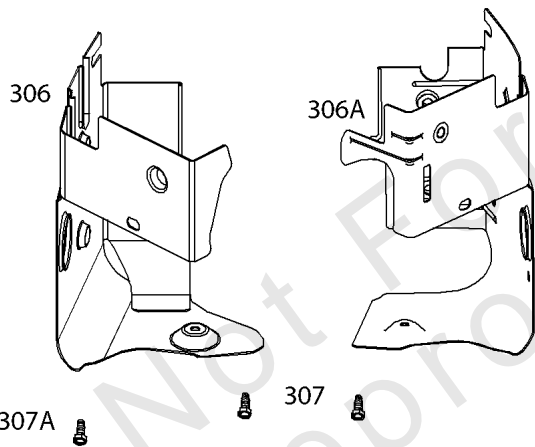
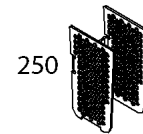
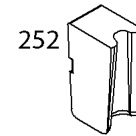
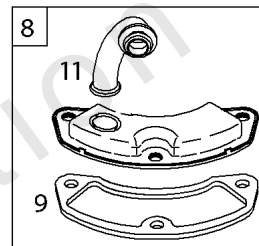
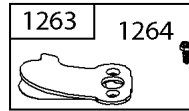
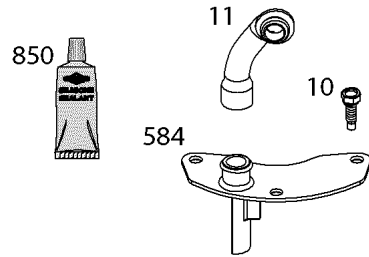
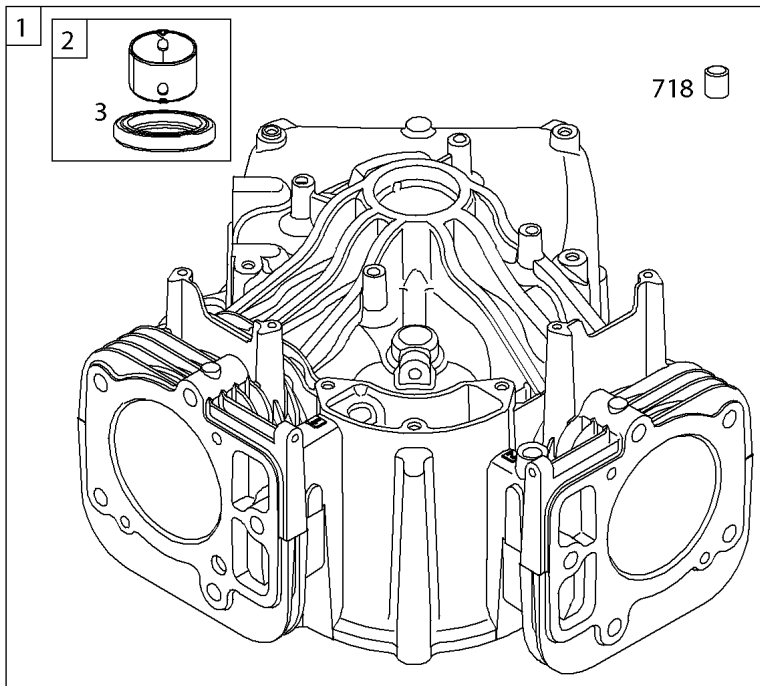
REF NO	PART NO	QTY	DESCRIPTION
5	593838		HEAD, Cylinder -(Cylinder #1)
5A	593839		HEAD, Cylinder -(Cylinder #2)
7	593485		GASKET, Cylinder Head
13	592244		SCREW -(Cylinder Head)
33	593632		VALVE, Exhaust
34	793556		VALVE, Intake
35	694865		SPRING, Valve -(Intake)
36	694865		SPRING, Valve -(Exhaust)
42	499586		KEEPER, Valve
45	690977		TAPPET, Valve
50	593850		MANIFOLD, Intake
51	593849		GASKET, Intake
51A	593851		GASKET, Intake
54	699816		SCREW -(Intake Manifold)
163	691001		GASKET, Air Cleaner
192	690083		ADJUSTER, Rocker Arm
337	792015		PLUG, Spark
383	19576S		WRENCH, Spark Plug
798	697890		SCREW -(Rocker Arm)
868	690968		SEAL, Valve
883	594365		GASKET, Exhaust
914	593637		SCREW -(Rocker Cover)
918A	593641		HOSE, Vacuum -(2.9" Long)
961	691108		SCREW -(Air Cleaner Bracket)
964	799159		CAP, Connector
1022	690971		GASKET, Rocker Cover
1023	593854		COVER, Rocker -(Cylinder #1)
1023A	593855		COVER, Rocker -(Cylinder #2)
1026	690981		ROD, Push -(Steel)
1026A	690982		ROD, Push -(Aluminum)
1029	690972		ARM, Rocker
1029A	807323		ARM, Rocker
1100	791959		PIVOT, Rocker Arm
1491	699816		SCREW -(Throttle Body)





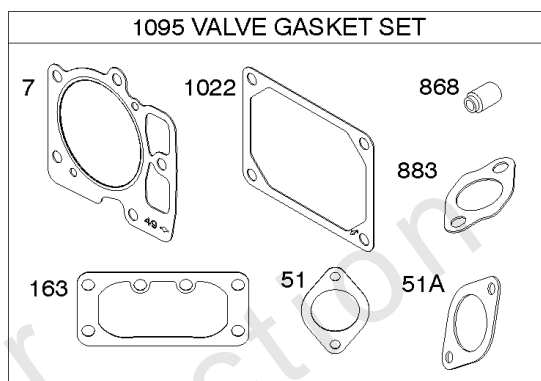
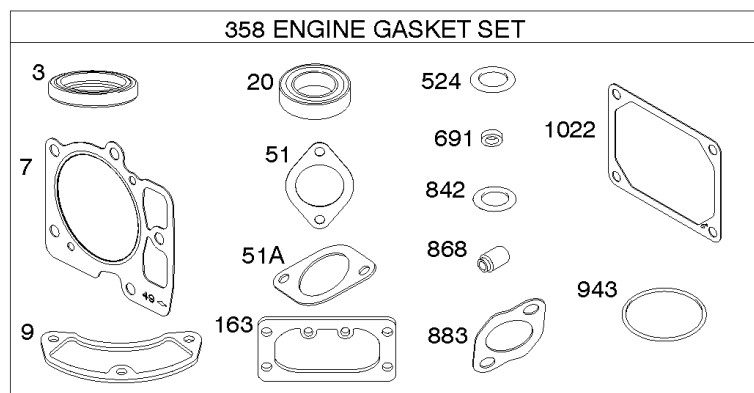
## Cylinder, Crankshaft, Camshaft, Air Guides

REF NO	PART NO	QTY	DESCRIPTION
1	593645		CYLINDER ASSEMBLY
2	593660		KIT, Bushing/Seal -(Magneto Side)
3	593643		SEAL, Oil -(Magneto Side)
8	792185		BREATHER ASSEMBLY -Used Before Code Date 15112300
9	690937		GASKET, Breather -Used Before Code Date 15112300
10	691108		SCREW -(Breather Assembly)
11	792184		TUBE-BREATHER -Used Before Code Date 15112300
11	594163		TUBE, Breather -Used After Code Date 15112200
16	593609		CRANKSHAFT
24	796335		KEY, Flywheel
25	593646		PISTON ASSEMBLY -(Standard)
25	593648		PISTON ASSEMBLY -(.020 Oversize)
26	593649		SET, Ring -(.020 Oversize)
26	593647		SET, Ring -(Standard)
27	690975		LOCK, Piston Pin
28	593650		PIN, Piston
29	593651		ROD, Connecting
32	690976		SCREW -(Connecting Rod)
45	690977		TAPPET, Valve
46	593841		CAMSHAFT
75	691056		WASHER -(Flywheel)
227	593857		LEVER, Governor Control
250	690957		RETAINER, Breather -Used Before Code Date 15112300
252	794389		COLLECTOR-OIL -Used Before Code Date 15112300
306	796852		SHIELD-CYLINDER -(Cylinder #1) -Used Before Code Date 18100100
306	84002166		SHIELD, Cylinder -(Cylinder #1) -Used After Code Date 18093000
306A	593858		SHIELD, Cylinder -(Cylinder 2)
307	691003		SCREW -(Cylinder Shield)
307A	691108		SCREW -(Cylinder Shield)
332	691059		NUT -(Flywheel)
377	690979		KEY, Woodruff
405	594937		SCREW -(Back Plate)
447	691003		SCREW -(Air Guide Cover)



## Cylinder, Crankshaft, Camshaft, Air Guides

REF NO	PART NO	QTY	DESCRIPTION
505	691029		NUT -(Governor Control Lever)
540	594325		PLATE, Baffle
562	690311		BOLT -(Governor Control Lever)
573	593607		PLATE, Back
584	594164		COVER, Breather Passage
618	594326		SCREW -(Baffle Plate)
718	690959		PIN, Locating
741	690980		GEAR, Timing
850	100106		SEALANT, Liquid
865	591667		COVER, Air Guide -(Valley)
1263	594166		REED, Breather
1264	594165		SCREW -(Breather Reed)
1319	794467		LABEL, Warning
1319A	797669		LABEL, Warning



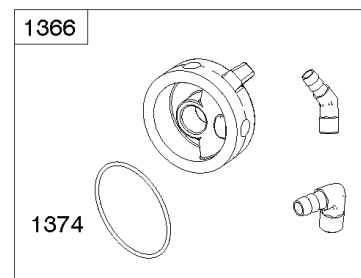
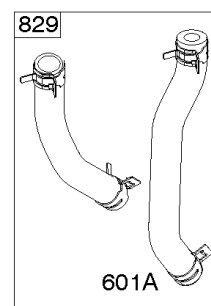
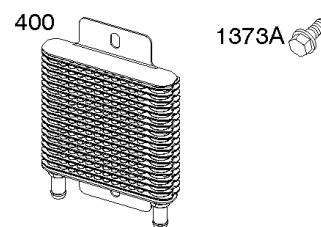
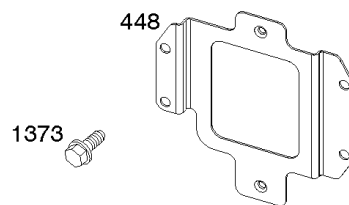
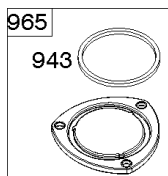
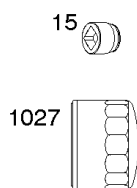
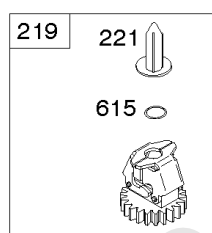
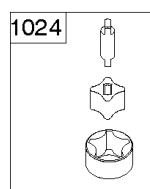
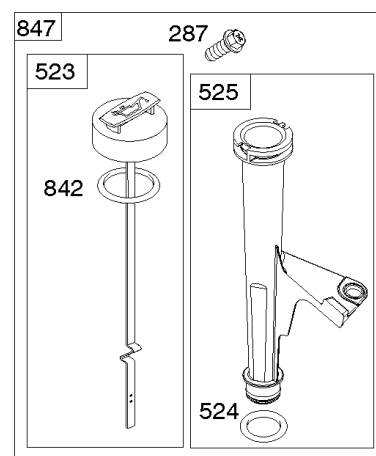
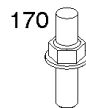
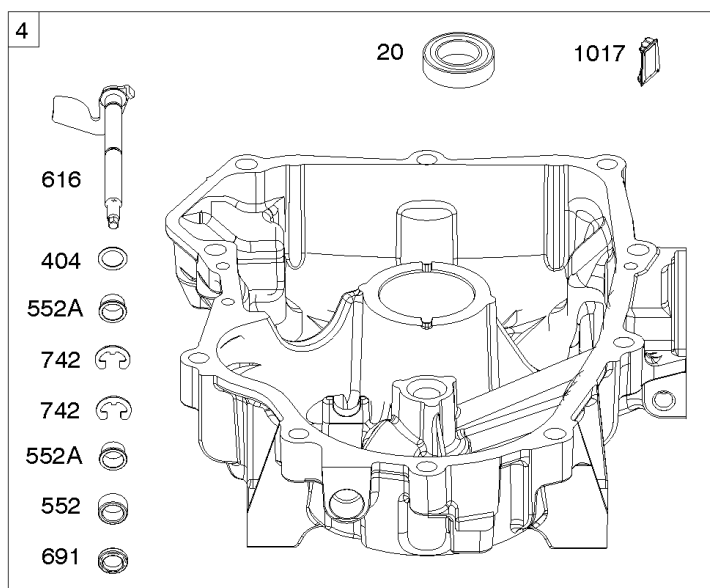
Not For  
Reproduction

## Engine Gasket Set, Valve Gasket Set

REF NO	PART NO	QTY	DESCRIPTION
3	593643		SEAL, Oil -(Magneto Side)
7	593485		GASKET, Cylinder Head
9	690937		GASKET, Breather
20	593644		SEAL, Oil -(PTO Side)
51	593849		GASKET, Intake
51A	593851		GASKET, Intake
163	691001		GASKET, Air Cleaner
358	593929		GASKET SET, Engine
524	691032		SEAL, O-Ring
691	790574		SEAL, Governor Shaft
842	691031		SEAL, O-Ring -(Dipstick Tube)
850	100106		SEALANT, Liquid
868	690968		SEAL, Valve
883	594365		GASKET, Exhaust
943	593642		SEAL, O-Ring -(Oil Pump Cover)
1022	690971		GASKET, Rocker Cover
1095	593928		GASKET SET, Valve

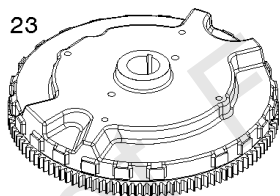
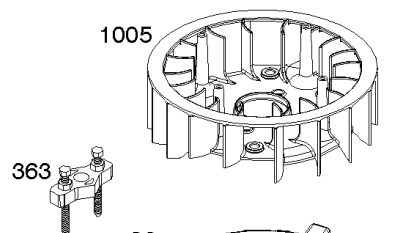
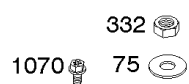
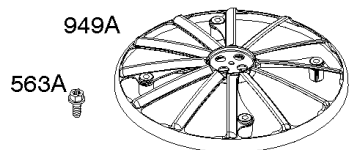
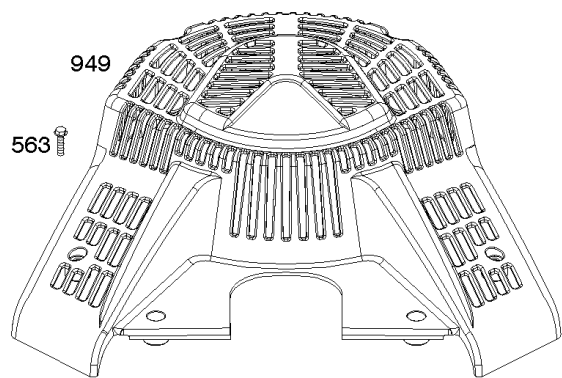
# Engine Sump, Oil Pump, Dipstick/Tube Assembly

Mfg. No: 49E777-0001-G1

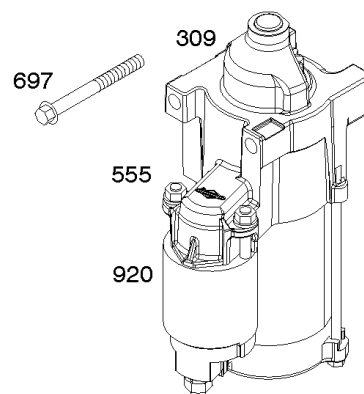
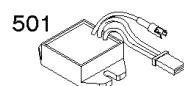
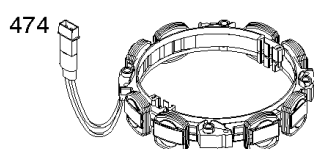
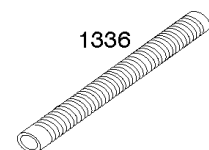
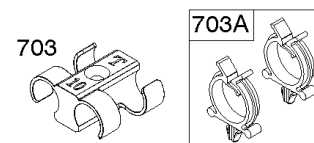
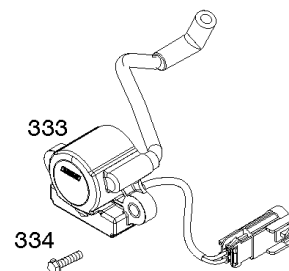
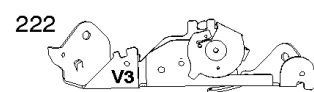


## Engine Sump, Oil Pump, Dipstick/Tube Assembly

REF NO	PART NO	QTY	DESCRIPTION
4	593652		SUMP, Engine
15	690946		PLUG, Oil Drain
20	593644		SEAL, Oil -(PTO Side)
22	694966		SCREW -(Crankcase Cover/Sump)
170	593903		STUD -(Crankcase Cover/Sump)
219	793338		GEAR, Governor
220	799772		WASHER -(Governor Gear)
221	841026		CUP, Governor
239	792028		SWITCH, Oil Pressure
287	594937		SCREW -(Dipstick Tube)
400	796862		COOLER, Oil
404	690442		WASHER -(Governor Crank)
448	593631		BRACKET, Oil Cooler
523	691036		DIPSTICK
524	691032		SEAL, O-Ring
525	691037		TUBE, Dipstick
552	796638		BUSHING, Governor Crank
552A	690553		BUSHING, Governor Crank
601A	841597		CLAMP, Hose -(Oil Cooler Hose)
615	698290		RETAINER, Governor Shaft
616	691045		CRANK, Governor
691	790574		SEAL, Governor Shaft
742	690328		RETAINER, E Ring
750	796208		SCREW -(Oil Pump Cover)
829	593845		HOSE, Oil Cooler -(Oil Cooler Hose)
842	691031		SEAL, O-Ring -(Dipstick Tube)
847	499602		DIPSTICK/TUBE ASSEMBLY
850	100106		SEALANT, Liquid
943	593642		SEAL, O-Ring -(Oil Pump Cover)
965	796221		COVER, Oil Pump
1017	796214		SCREEN, Oil Pump
1024	796220		PUMP, Oil
1027	696854		FILTER, Oil
1028	796864		ADAPTER, Oil Filter
1366	799131		DIVERTER, Oil Cooler
1373	695629		SCREW -(Oil Cooler Bracket)
1373A	799105		SCREW -(Oil Cooler Bracket)
1374	796863		SEAL, O-Ring -(Oil Cooler Diverter)



No For  
Reproduction





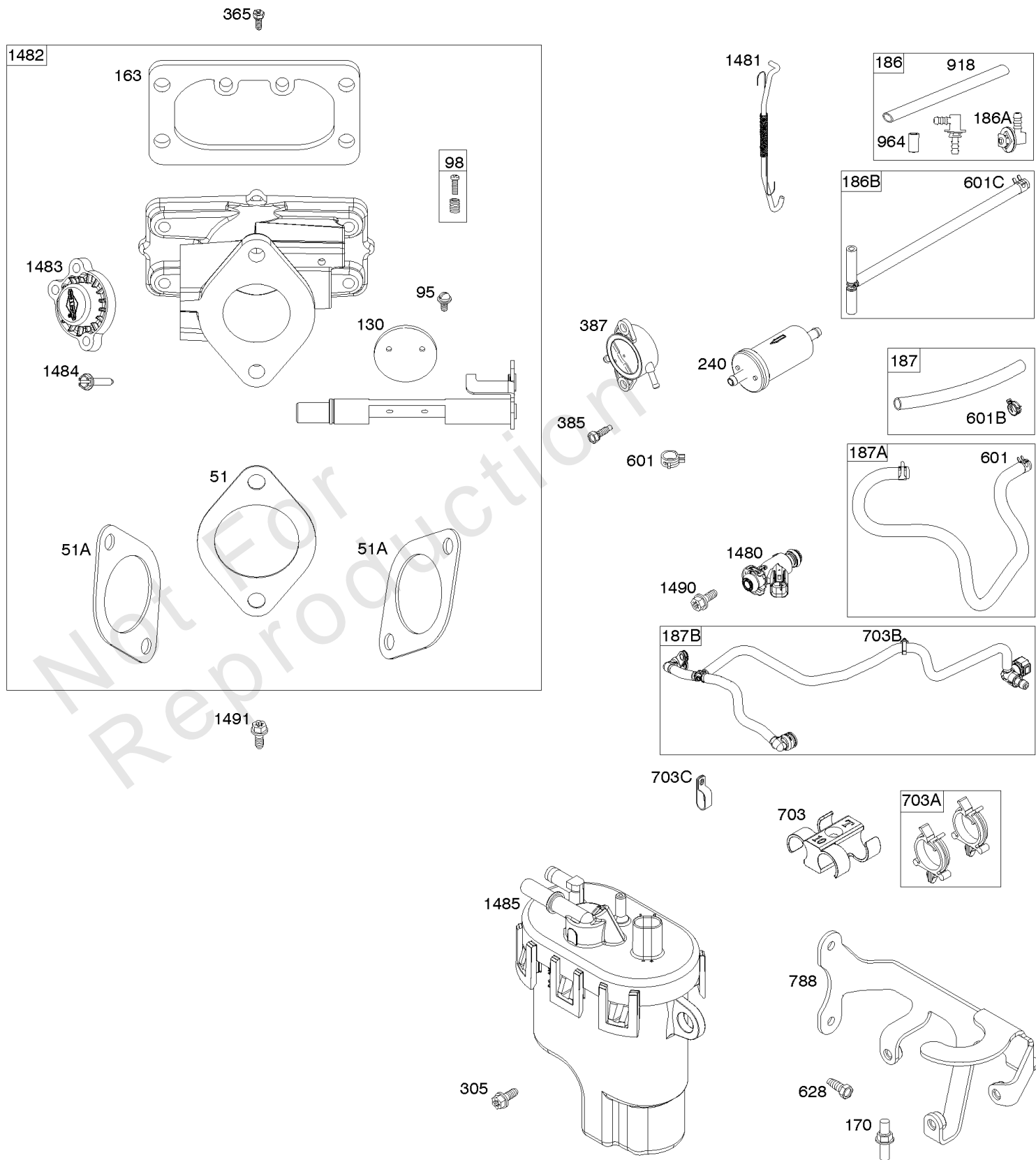
## Flywheel, Alternator, Starter

REF NO	PART NO	QTY	DESCRIPTION
23	593840		FLYWHEEL
75	691056		WASHER -(Flywheel)
188	691108		SCREW -(Control Bracket)
209	593911		SPRING, Governor -(Green/White)
211	593724		SPRING, Governed Idle -(Black)
222	798916		BRACKET, Control
265	691024		CLAMP, Casing
267	792629		SCREW -(Casing Clamp)
309	593486		MOTOR, Starter
332	691059		NUT -(Flywheel)
333	593856		ARMATURE, Magneto
334	593848		SCREW -(Magneto Armature)
363	19621		PULLER, Flywheel
474	592830		ALTERNATOR -(10-16 Amp Regulated)
501	593490		REGULATOR
526	691108		SCREW -(Regulator)
555	593489		SCREW -(Starter Solenoid)
563	698425		SCREW -(Debris Screen Guard)
563A	799360		SCREW -(Debris Screen Guard)
697	593487		SCREW -(Starter Motor) (Drive Cap)
703	593863		CLIP
703A	593846		CLIP -(Fuel Pump)
853	593907		ADAPTER, Wire
920	593488		SOLENOID, Starter
949	593636		GUARD, Debris Screen
949A	593206		GUARD, Debris Screen
1005	593640		FAN, Flywheel
1070	593638		SCREW -(Flywheel Fan)
1119	691183		SCREW -(Alternator)
1336	841015		SHIELD, Wire Protective
1481	593853		LINK/SPRING ASSEMBLY

## Replacement Engine - US & Canada

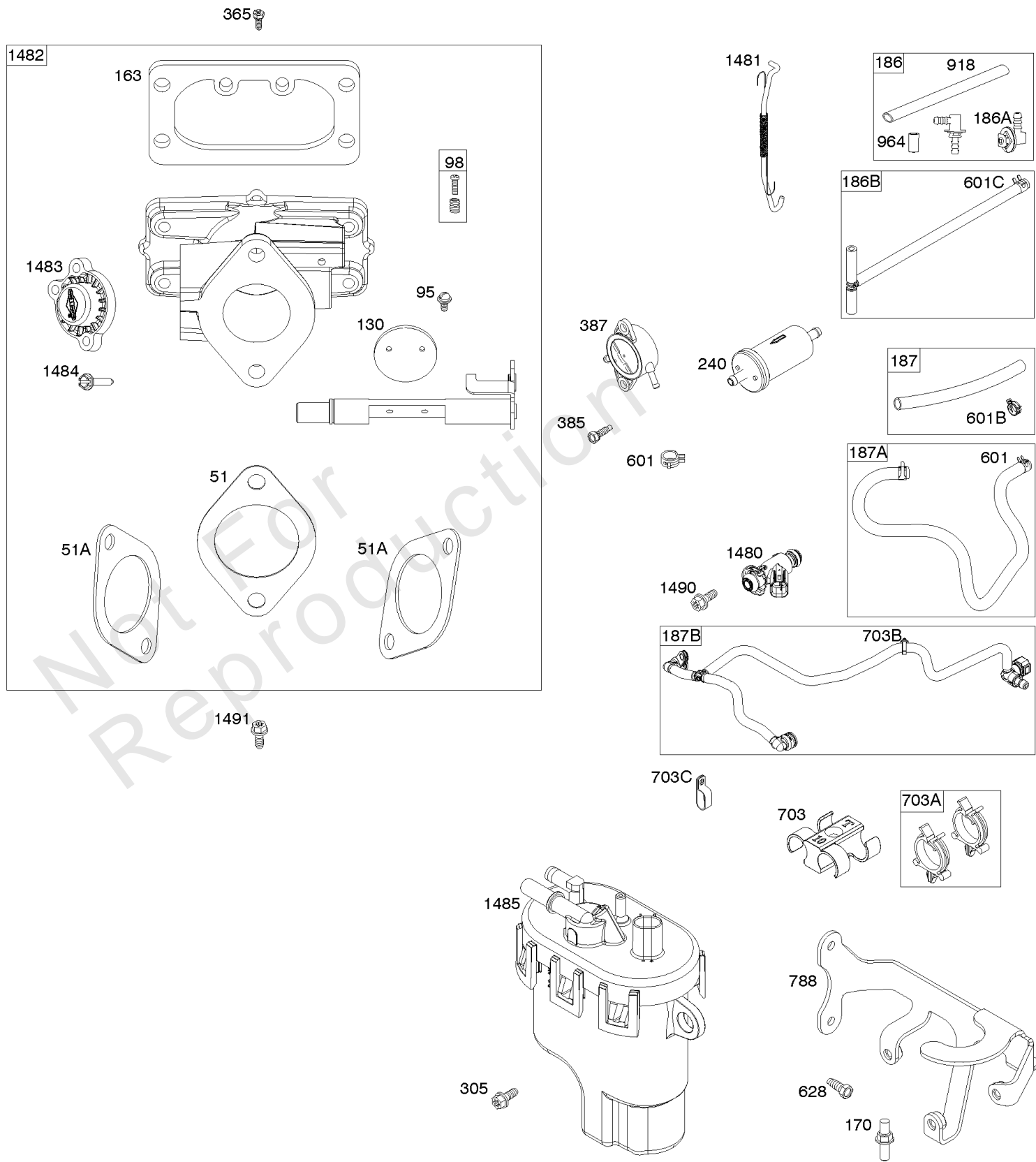
REF NO	PART NO	QTY	DESCRIPTION
	49E8770005	1	Replacement Engine
	835183	1	Replacement Short Block
	-----		Top No-Load Speed: 3600 -Trim: ALL
	-----		Service Note: Transfer Muffler and/or Spark Arrester Assembly from the original engine if suitable for additional service or add new parts as required

Not For Reproduction



## Throttle Body, Fuel Supply

REF NO	PART NO	QTY	DESCRIPTION
51	593849		GASKET, Intake
51A	593851		GASKET, Intake
95	593897		SCREW -(Throttle Valve)
98	593893		KIT, Idle Speed
130	796875		VALVE, Throttle
163	691001		GASKET, Air Cleaner
170	593903		STUD -(Crankcase Cover/Sump)
186	799158		CONNECTOR, Hose -(EVAP)
186A	845141		CONNECTOR, Hose -(EVAP)
186B	593880		CONNECTOR, Hose -(EVAP)
187	791766		LINE, Fuel -(15 Inches Long)(Cut to Required Length)
187A	593847		LINE, Fuel -(Formed Hose)
187B	593884		LINE, Fuel -(Formed Hose)
240	845125		FILTER, Fuel
305	691005		SCREW -(Blower Housing)
365	699816		SCREW -(Carburetor)
385	797409		SCREW -(Fuel Pump) (Fuel Pump Mounted To Blower Housing)
387	808656		PUMP, Fuel
601	691038		CLAMP, Hose -(Black)
601B	791850		CLAMP, Hose -(Green)
601C	593879		CLAMP, Hose -(Vent Tube) (Fuel Line)
628	691108		SCREW -(Fuel Pump Bracket)
703	593863		CLIP
703A	593846		CLIP -(Fuel Pump)
703B	593865		CLIP -(Fuel Line)
703C	594364		CLIP -(Fuel Line)
788	593864		BRACKET, Fuel Pump
918	799160		HOSE, Vacuum -(Length 9.4 Inches)
964	799159		CAP, Connector
1480	593852		INJECTOR, Fuel
1481	593853		LINK/SPRING ASSEMBLY
1482	593887		BODY, Throttle
1483	593895		COVER, Dust
1484	593896		SCREW -(Dust Cover)
1485	593890		MODULE, Fuel
1490	691127		SCREW -(Fuel Injector)



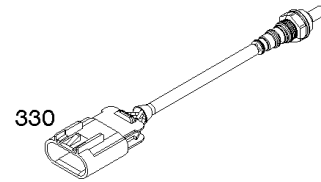
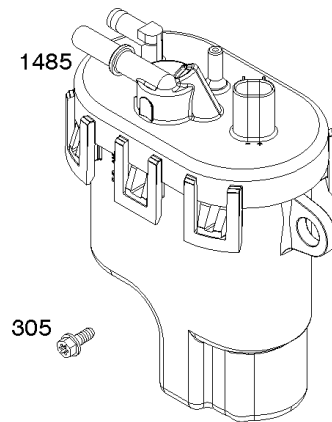
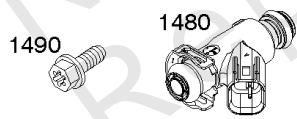
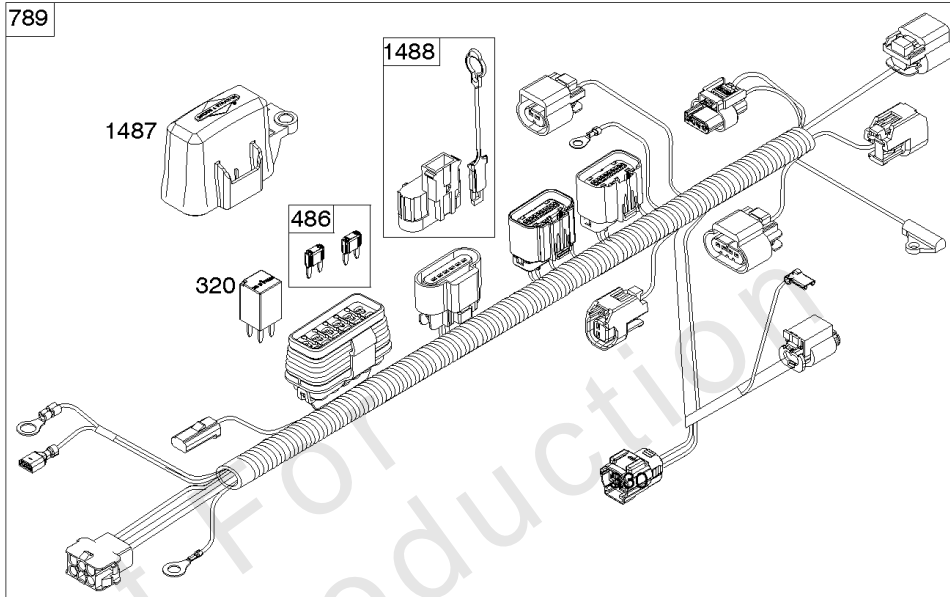
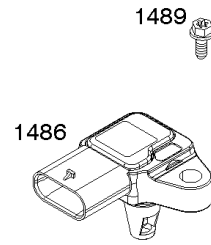
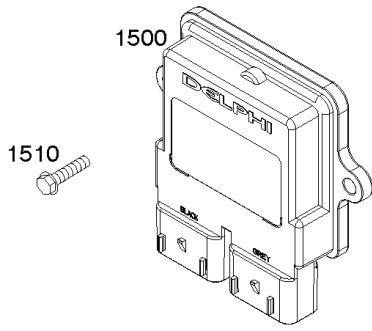
## Throttle Body, Fuel Supply

---

REF NO	PART NO	QTY	DESCRIPTION
1491	699816		SCREW -(Throttle Body)

---

Not For Reproduction



## Wire Harness, Electronic Control Module

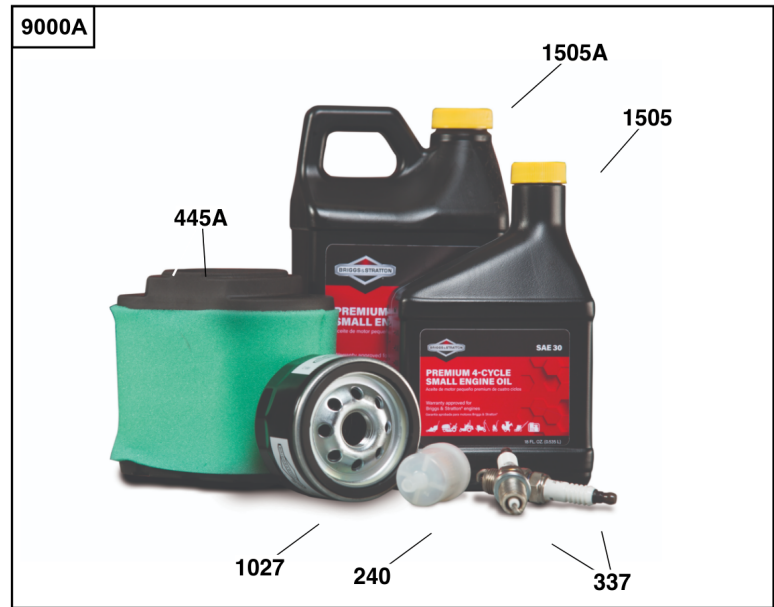
REF NO	PART NO	QTY	DESCRIPTION
305	691005		SCREW -(Blower Housing)
320	593902		RELAY(S)
330	593870		SENSOR, Oxygen
486	593901		FUSE
789	593866		HARNESS, Wiring
1413	593889		SENSOR, Speed
1439	592577		SCREW -(Thermistor Wire Assembly)
1480	593852		INJECTOR, Fuel
1485	593890		MODULE, Fuel
1486	593905		SENSOR, Temperature/Manifold Absolute Pressure (MAP) -(Temperature/Manifold Air Pressure)
1487	593900		COVER, Fuse
1488	593899		COVER, Diagnostic
1489	691127		SCREW -(Sensor-TEMP/MAP)
1490	691127		SCREW -(Fuel Injector)
1500	593878		MODULE, Electronic Control
1502	594363		SCREW -(Speed Sensor)
1510	593848		SCREW -(Fuel Injection ECU)





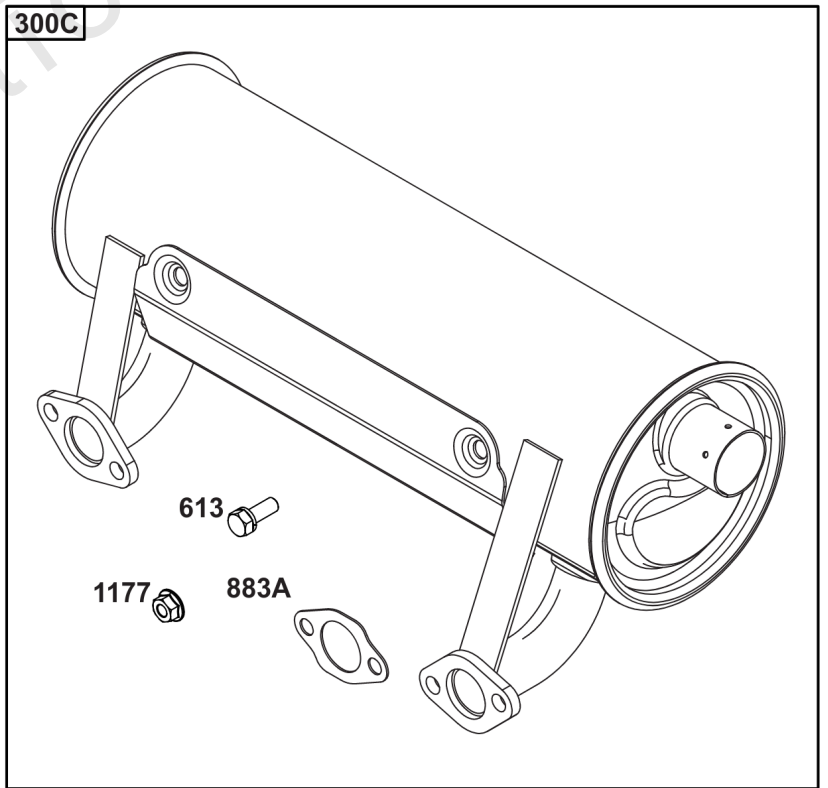
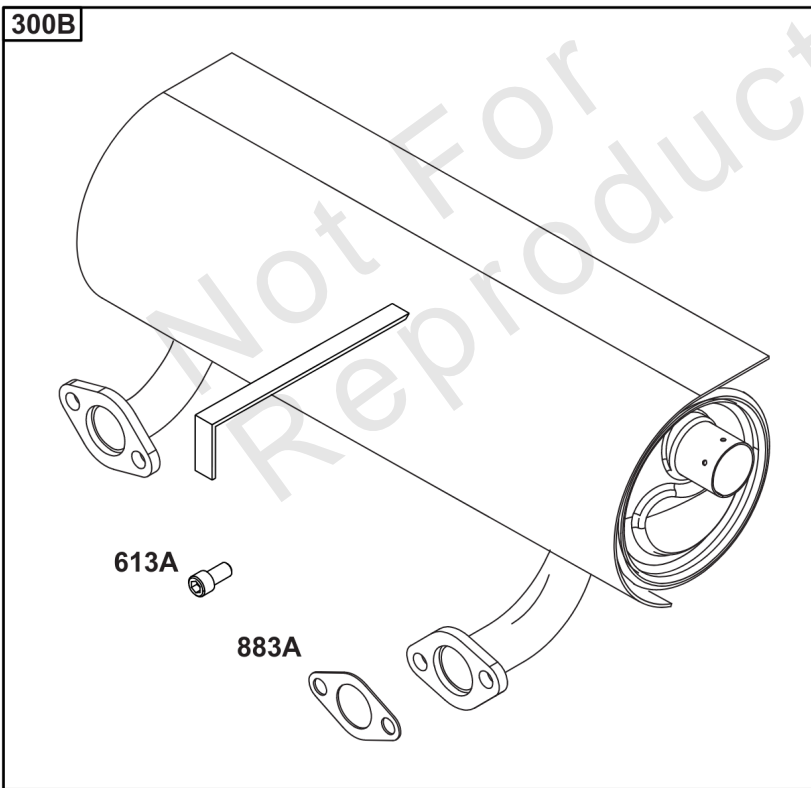
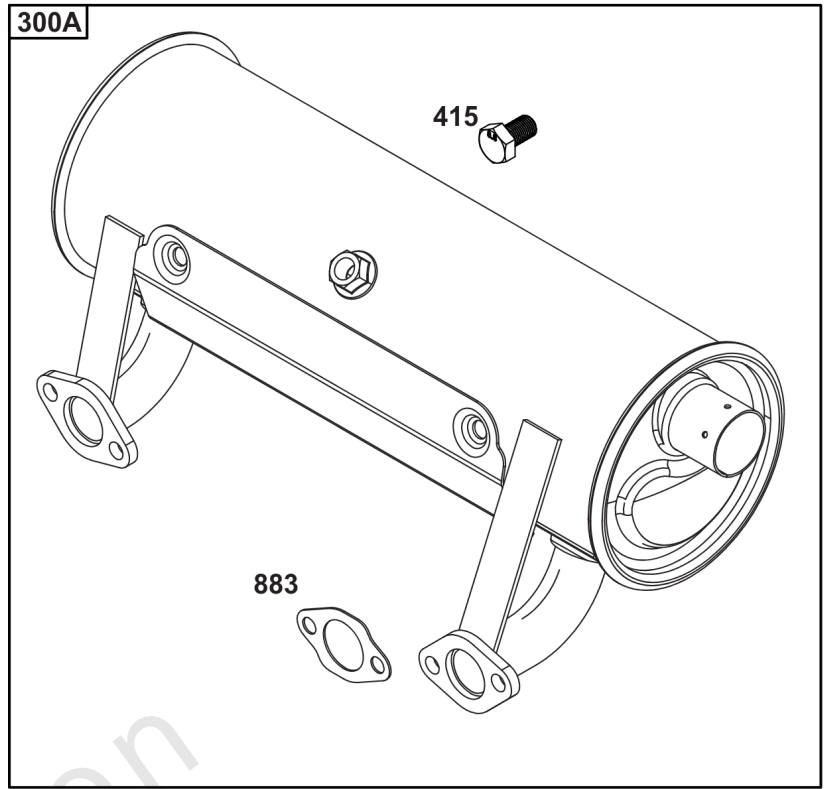
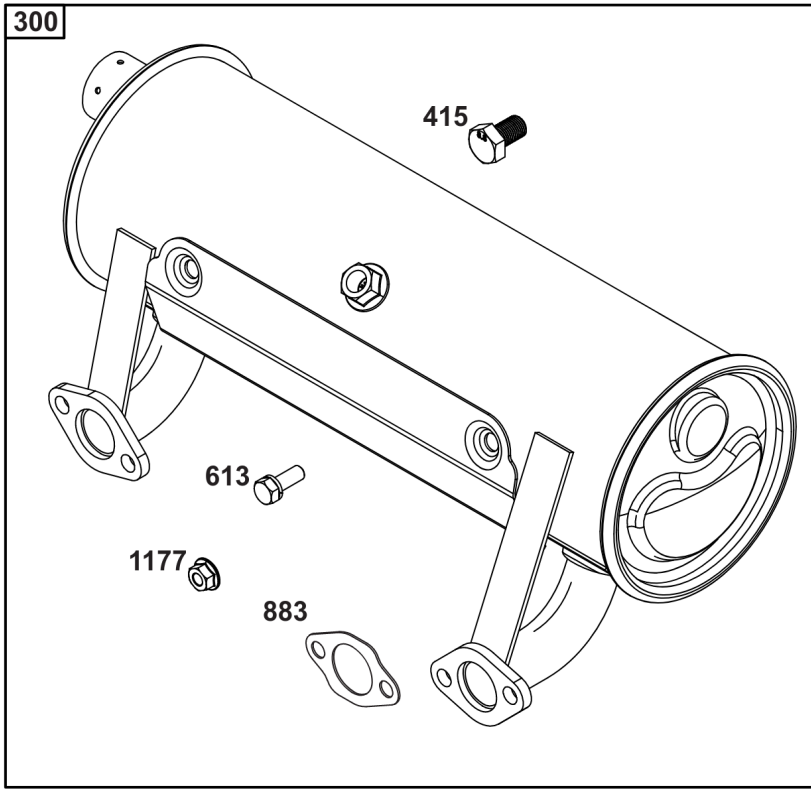
# Model 40, 44 & 49 Engine Accessories Catalog

Not For  
Reproduction



## Maintenance Kits

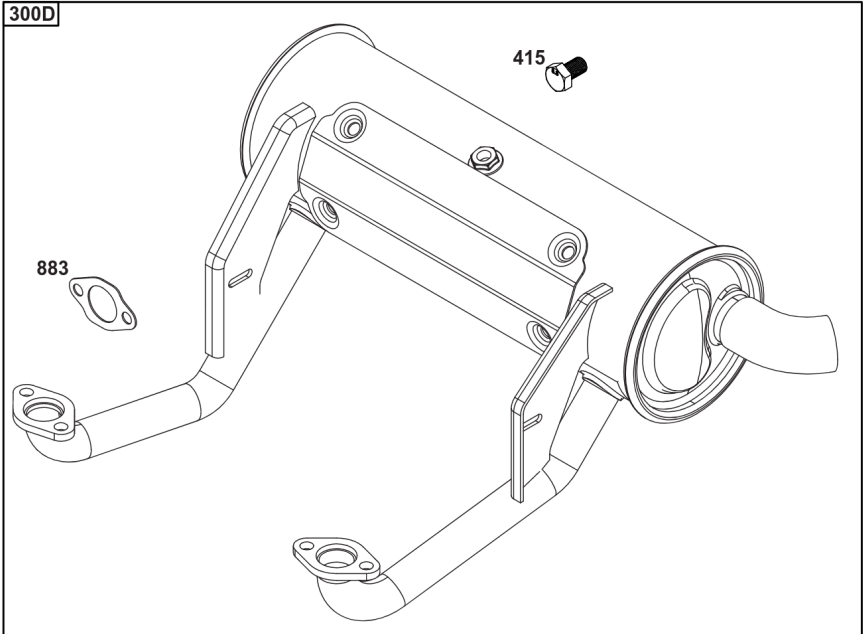
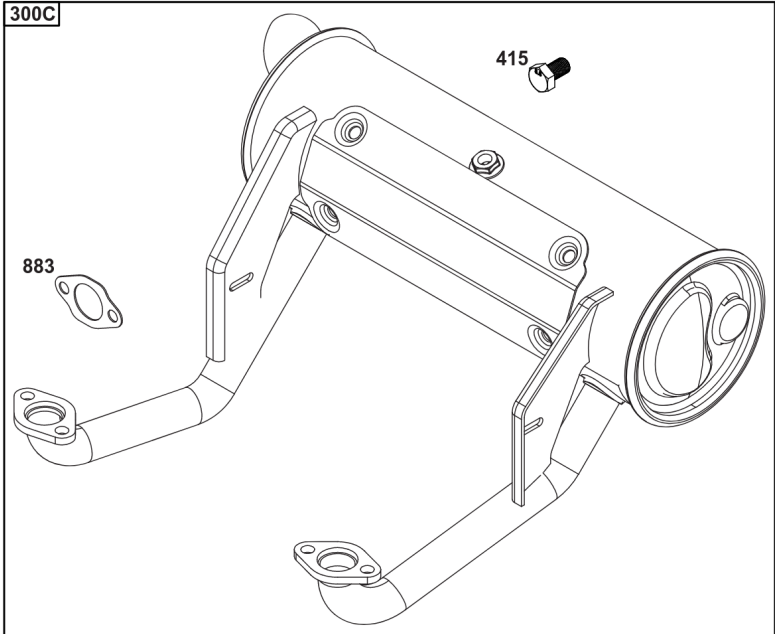
REF NO	PART NO	QTY	DESCRIPTION
9000	84002442		KIT, Maintenance -(Intek / EXi V-Twin Engines) (Do not use with Home Standby Generators.)
9000A	84002317		KIT, Maintenance -(Professional Series™ V-Twin Engines) (Do not use with Home Standby Generators.)
9000B	84002316		KIT, Maintenance -(Commercial Series V-Twin Engines) (Do not use with Home Standby Generators.)
9000C	84002318		KIT, Maintenance -(Oil Guard™ Engines) (Do not use with Home Standby Generators.)
9000D	84002315		KIT, Maintenance -(Non-Oil Guard™ Engines) (Do not use with Home Standby Generators.)
240	84001895	1	FILTER, Fuel -(40 Micron)
240A	845125	1	FILTER, Fuel -(20 Micron)
337	491055S	2	PLUG, Spark
445	594201	1	FILTER, A/C Cartridge
445A	792105	1	FILTER, A/C Cartridge
445B	798897	1	FILTER, A/C Cartridge
445C	841497	1	FILTER, A/C Cartridge
967	797704	1	FILTER, Pre Cleaner
1027	492932S	1	FILTER, Oil -(Standard)
1027A	696854	1	FILTER, Oil -(Premium)
1027B	842921	1	FILTER, Oil -(Vanguard®)
1027C	84007094	1	FILTER, OIL -(Oil Guard™)
1505	100005		OIL-4 CYCLE 30W 18OZ. -(18 oz. Bottle)
1505A	100028		OIL-4 CYCLE30W 48OZ -(48 oz. Bottle)
1505B	100170		OIL-5QT VANGUARD (CASE) -(5 qt. Bottle)
1505C	100169		OIL-1QT VANGUARD (CASE) -(1 qt. Bottle)



## Engine Mounted Below Deck Mufflers

REF NO	PART NO	QTY	DESCRIPTION
300	594584	1	KIT-MUFFLER/GUARD -(Oil Filter Side Outlet) (Engine Supported) (O2 Sensor Port)
300A	593877	1	MUFFLER -(Starter Side Outlet) (Engine Supported) (O2 Sensor Port)
300B	594583	1	MUFFLER -(Starter Side Outlet) (Engine Supported) (No O2 Sensor Port)
300C	692120	1	MUFFLER -(Starter Side Outlet) (No O2 Sensor Port)
415	596859	1	PLUG -(O2 Sensor Port)
613	690341	4	SCREW -(Muffler)
613A	690363	4	SCREW -(Muffler)
883	594365	2	GASKET, Exhaust
883A	690970	2	GASKET, Exhaust
1177	690941	4	NUT -(Muffler)

Not For Reproduction



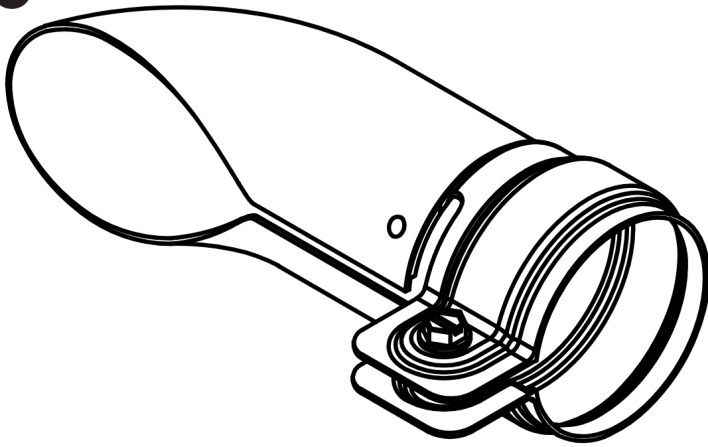
Not For  
Reproduction

## ***Engine Mounted Above Deck Mufflers***

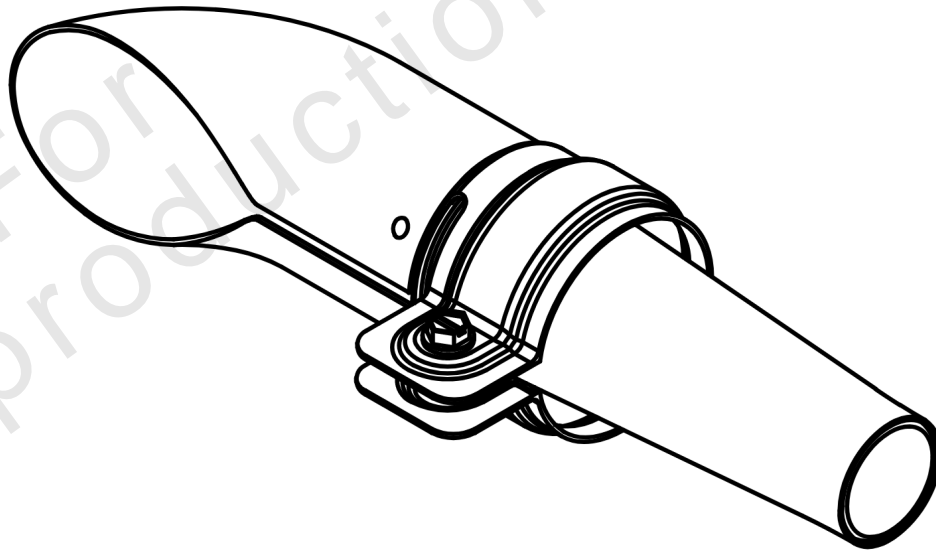
<b>REF NO</b>	<b>PART NO</b>	<b>QTY</b>	<b>DESCRIPTION</b>
300C	595138	1	MUFFLER -(Oil Filter Side Outlet) (Self-Supporting) (O2 Sensor Port)
300D	595139	1	MUFFLER -(Starter Side Outlet) (Self-Supporting) (O2 Sensor Port)
415	596859	1	PLUG -(O2 Sensor Port)
883	594365	2	GASKET, Exhaust

Not For Reproduction

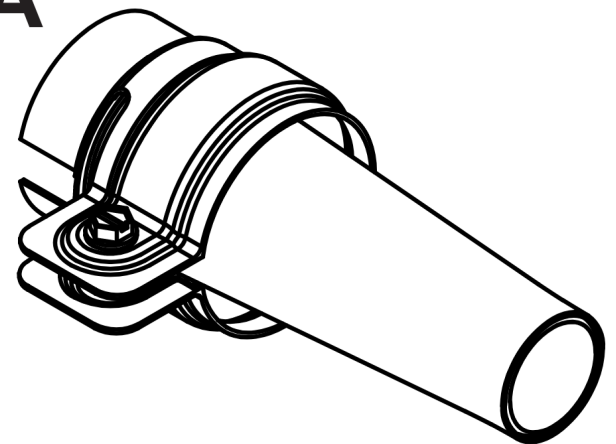
**676**



**994**



**994A**

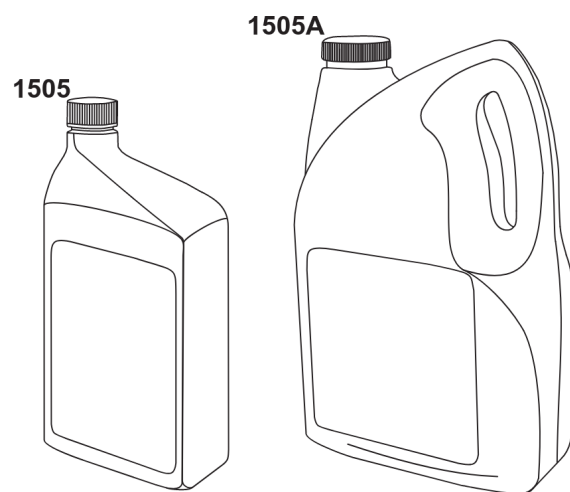
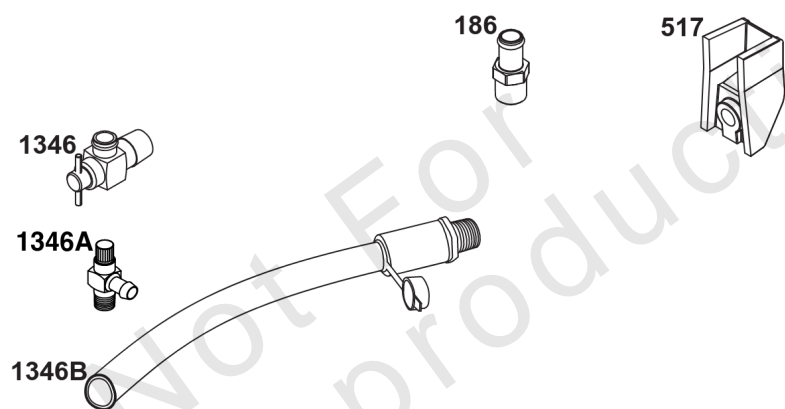
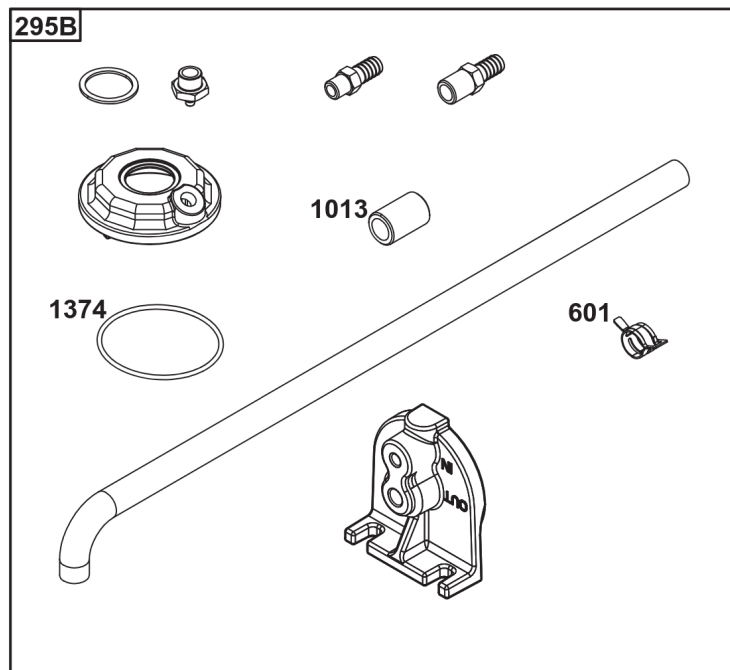
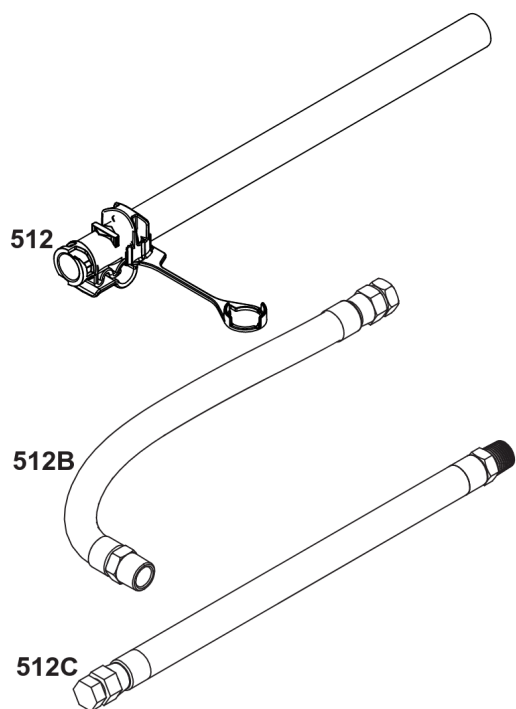




## Spark Arrester/Deflector

REF NO	PART NO	QTY	DESCRIPTION
676	593869	1	DEFLECTOR, Muffler -(For Below Deck Mufflers Only)
994	593885	1	ARRESTOR, Spark -(For Below Deck Mufflers Only)
994A	593868	1	ARRESTOR, Spark -(For Below Deck Mufflers Only)

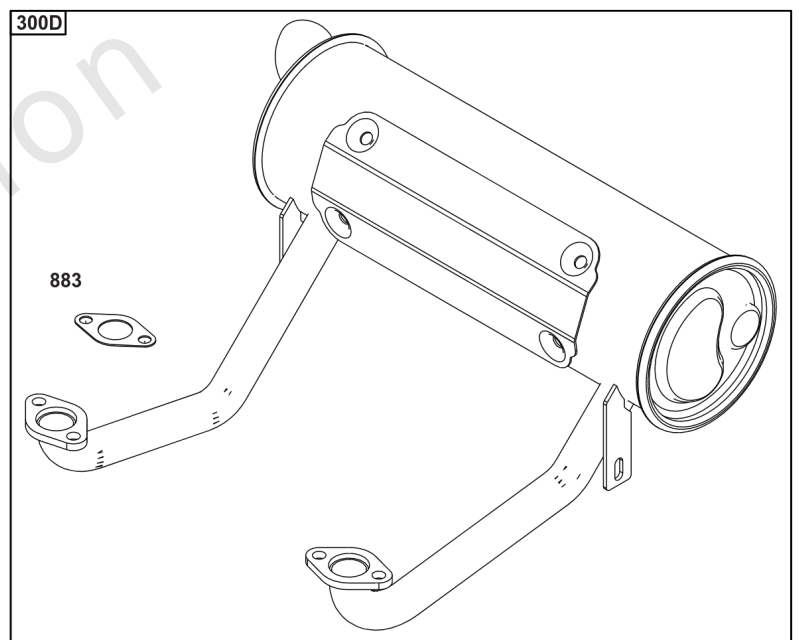
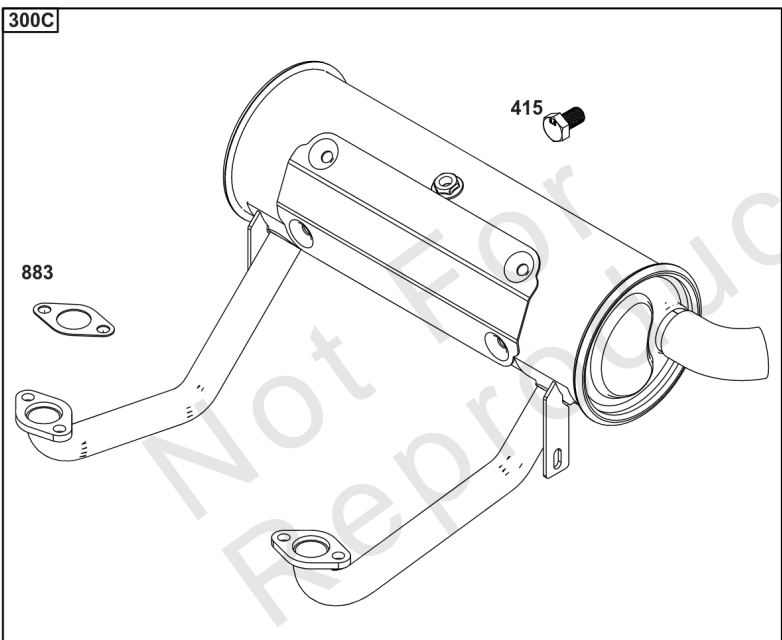
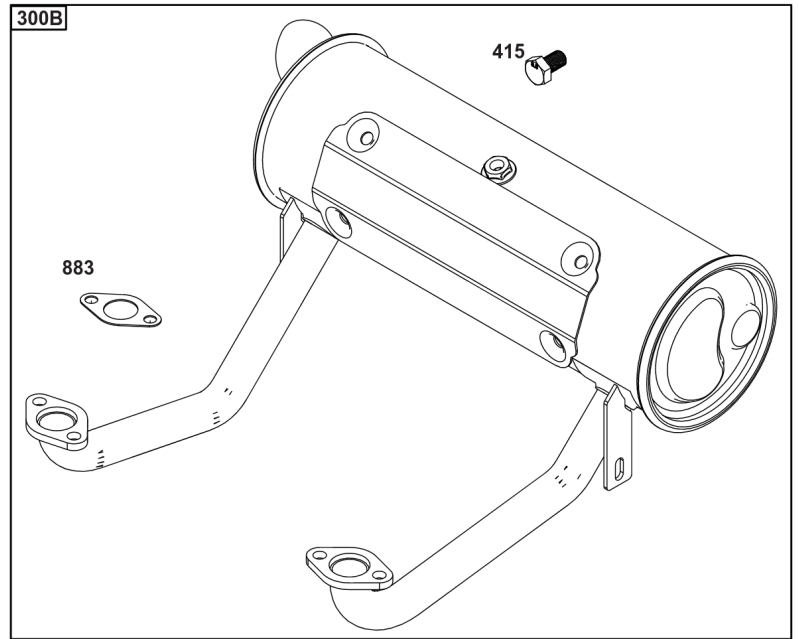
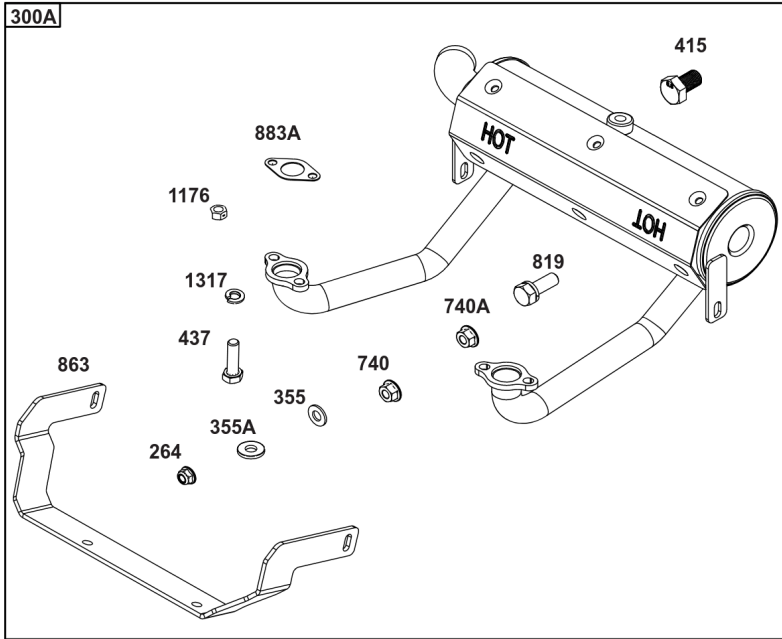
Not For Reproduction



## Lubrication

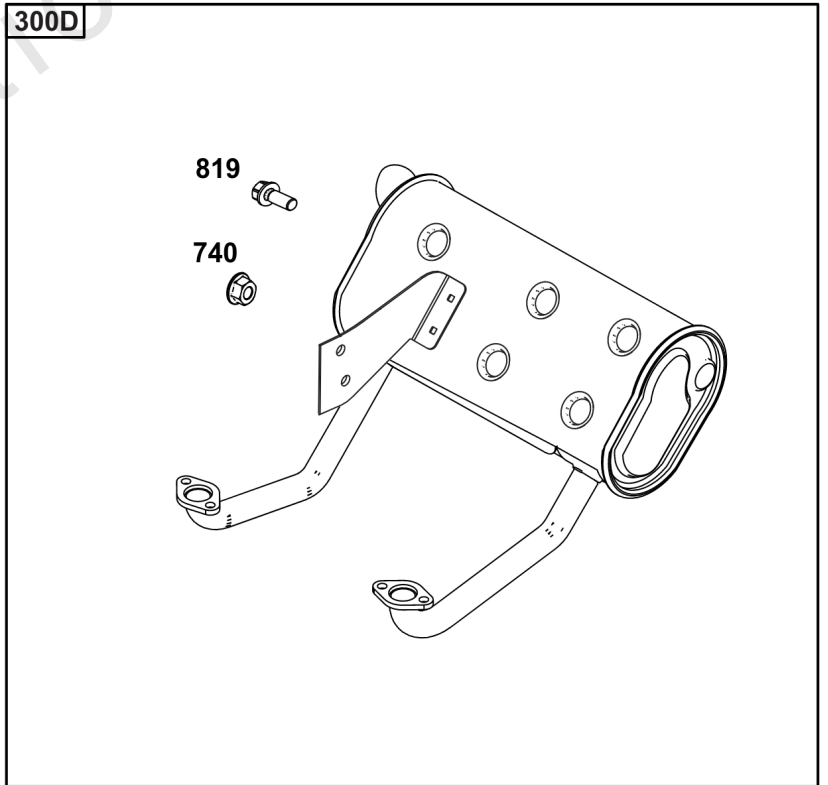
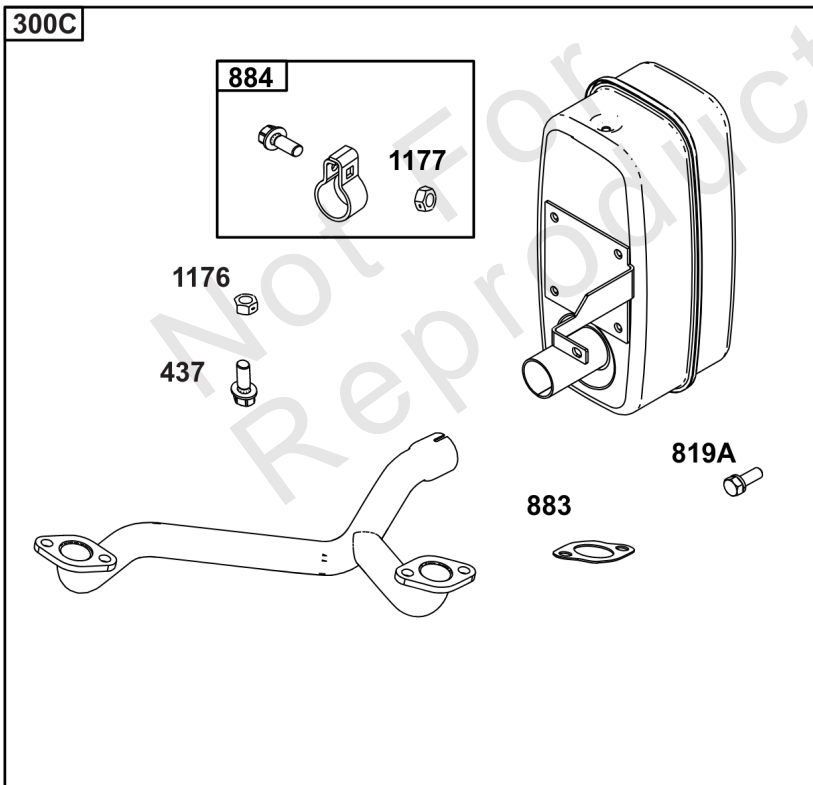
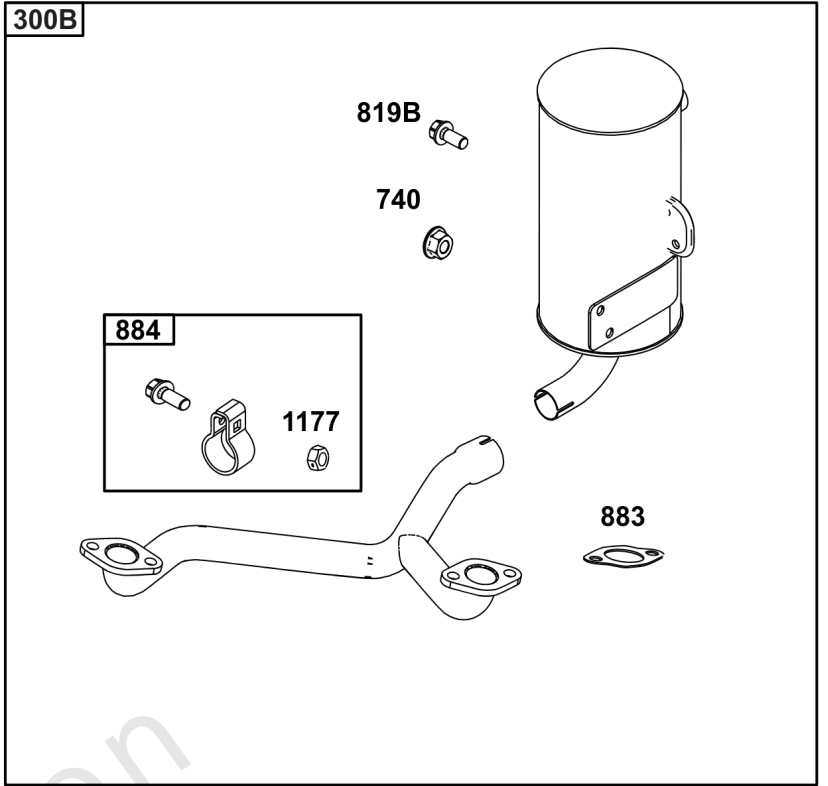
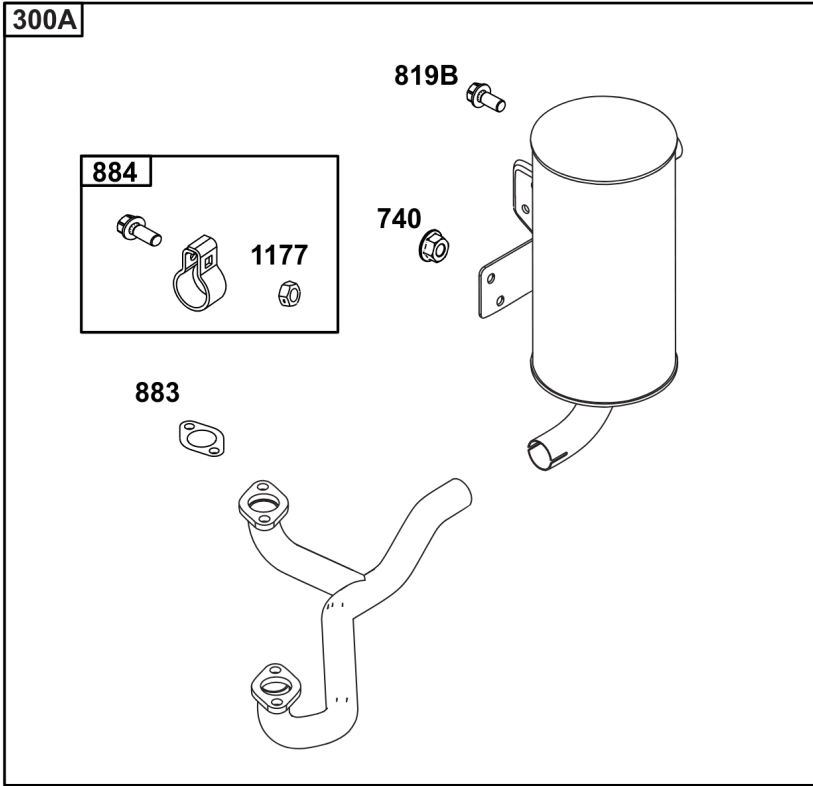
REF NO	PART NO	QTY	DESCRIPTION
186	796532	1	CONNECTOR, Hose -(Threaded Engine Block Connector for EZ-Oil Drain Hose) (Order hose separate)
239	690233	1	SWITCH, Oil Pressure -(2-4 PSI Normally-Closed Switch)
239A	491657S	1	SWITCH, Oil Pressure -(3-5 PSI Normally-Closed Switch)
239B	841281	1	SWITCH, Oil Pressure -(7-10 PSI Normally-Closed Switch)
239C	694115	1	SWITCH, Oil Pressure -(9-13 PSI Normally-Closed Switch)
239D	697049	1	SWITCH, Oil Pressure -(3-6 PSI Normally-Open Switch)
295B	594271	1	ADAPTER, Remote Oil Filter -(Remote Oil Filter Kit)
512	594200	1	HOSE, Oil Drain -(EZ-Oil Drain Hose, 10.5") (Order threaded engine block connector separate)
512	593635	1	HOSE, Oil Drain -(EZ-Oil Drain Hose, 13.75") (Order threaded engine block connector separate)
512B	1723165SM	1	HOSE, Oil Drain, 10-1/2" Long, 3/8-18 Fittings -(10.5")
512C	5048681SM	1	HOSE, OIL DRAIN -(12.5")
517	593633	1	RETAINER, Oil Drain
601	841597	4	CLAMP, Hose
1013	690954	1	NIPPLE, Oil Filter
1346	844802	1	VALVE, Oil Drain Shut Off
1346A	492031	1	VALVE, Oil Drain Shut Off
1346B	5401WEB	1	VALVE, Oil Drain Shut Off -(1/4 Turn Oil Drain Valve with Hose)
1374	796863	1	SEAL, O-Ring
1505	100169		OIL-1QT VANGUARD (CASE) -(1 qt. Bottle)
1505A	100170		OIL-5QT VANGUARD (CASE) -(5 qt. Bottle)

# Implement Mounted Above Deck Mufflers



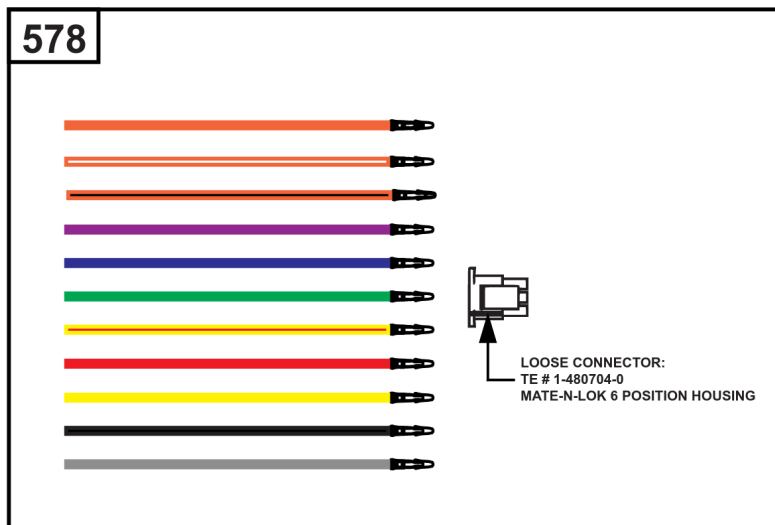
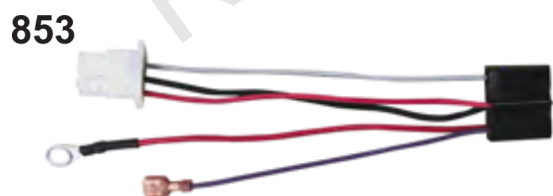
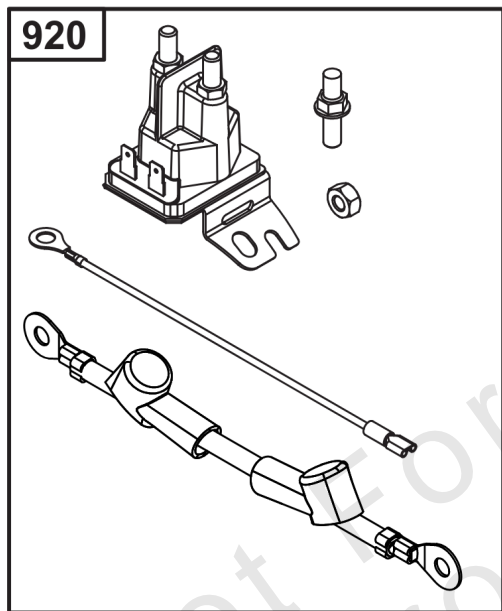
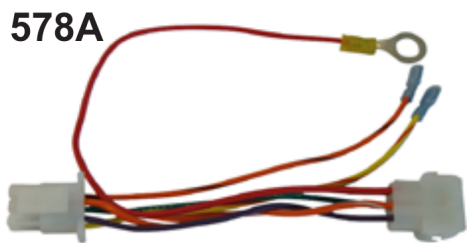
## Implement Mounted Above Deck Mufflers

REF NO	PART NO	QTY	DESCRIPTION
300A	594585	1	MUFFLER -(Oil Filter Side Outlet) (Implement Supported) (O2 Sensor Port)
300B	595134	1	MUFFLER -(Oil Filter Side Outlet) (O2 Sensor Port)
300C	595135	1	MUFFLER -(Starter Side Outlet) (O2 Sensor Port)
300D	595136	1	MUFFLER -(Oil Filter Side Outlet)
264	703465	4	NUT, 5/16-18, GR5 -(Muffler Adapter)
355	5025292SM	4	WASHER, 5/16" GD.9 FL -(Muffler Bracket)
355A	5025155SM	2	WASHER, 5/16 -(Muffler Bracket)
415	596859	1	PLUG -(O2 Sensor Port)
437	703585	4	CAPSCREW, 5/16-18X1 -(Exhaust Manifold)
740	703164	2	NUT -(Muffler Bracket)
740A	703115	2	NUT -(Muffler Bracket)
819	690341	4	SCREW -(Muffler Bracket)
863	597480	1	BRACKET, Muffler
883	594365	2	GASKET, Exhaust
883A	690970	2	GASKET, Exhaust
1176	690941	4	NUT -(Exhaust Manifold)
1317	703116	4	LCKWSHR -(Exhaust Manifold)



## Exhaust/Muffler Configurations

REF NO	PART NO	QTY	DESCRIPTION
300A	771127	1	MUFFLER -(Oil Filter Side Outlet)(Commercial & Professional Series)
300B	771128	1	MUFFLER -(Starter Side Outlet)(Commercial & Professional Series)
300C	595822	1	MUFFLER -(Starter Side Outlet)(Commercial & Professional Series)
300D	84003680	1	MUFFLER -(Oil Filter Side Outlet) (Commercial & Professional Series)(Vanguard 810 & 810 EFI) (Compatible with 593868 Spark Arrester, 593885 Spark Arrester with Deflector.) (Equipped with plug for blocking off O2 sensor port for non EFI engines.)
437	690341	4	SCREW -(Exhaust Manifold)
740	704067	2	NUT, HEX FLNG,5/16-18 -(Muffler Bracket)
819	592604	2	SCREW -(Muffler Bracket)
819A	695629	4	SCREW -(Muffler Bracket)
819B	692062	2	SCREW -(Muffler Bracket)
883	594365	2	GASKET, Exhaust
884	691956	1	CLAMP, Muffler
1176	690941	4	NUT -(Exhaust Manifold)
1177	793859	1	NUT -(Muffler)

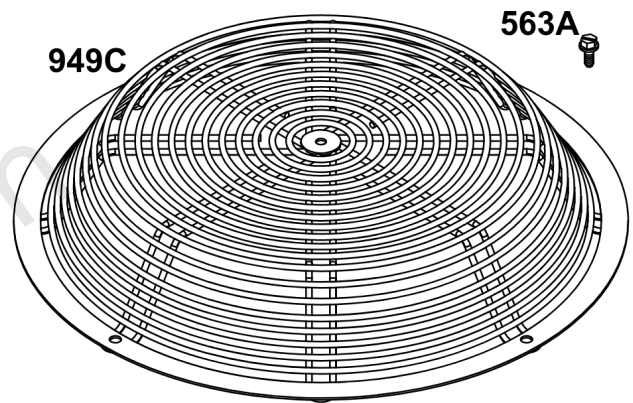
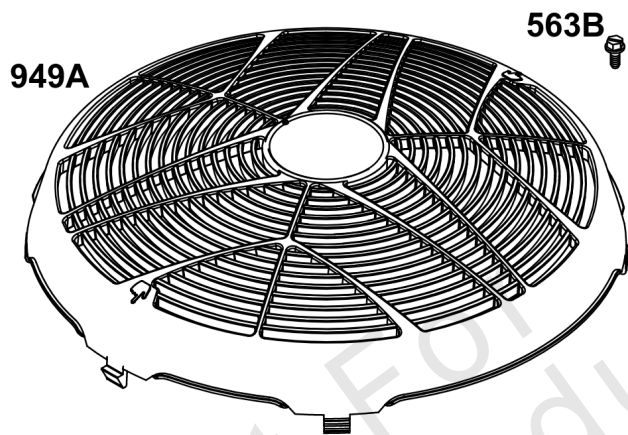
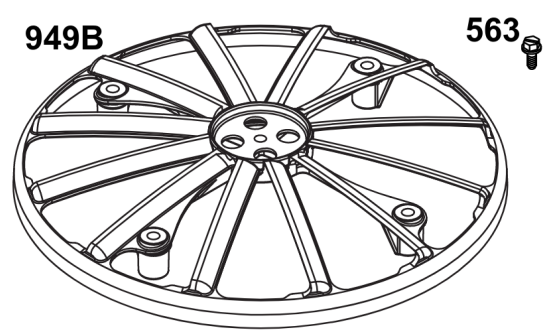
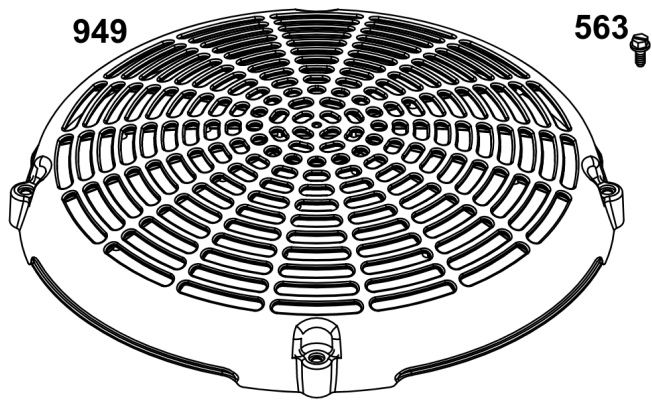




## Electrical

REF NO	PART NO	QTY	DESCRIPTION
578	84007350	1	WIRE ASSEMBLY -(Wire Harness Adapter Aids in repowering engine application with Male 6-Pin connector and wires create custom adapter configurations.)
578A	19631	1	TOOL, CUSTOM HARNESS -(6-pin Wire Harness Adapter) (Aids in repowering engine application to an EFI engine)
853	84003359	1	ADAPTER, WIRE -(Wire Harness Adapter) (Aids in repowering ExMark) (Flat 6-spade connector to Briggs & Stratton 6-Pin connector)
920	84002147	1	SOLENOID, STARTER -(Starter Solenoid Kit) (Aids in Repowering when original is solenoid shift)
983	5103809YP	1	LIGHT, Indicator -(MIL Light Indicator) (LED Red)
1616	19626	1	CODE READER -(Tiny Scan Code Reader)

Not For Reproduction

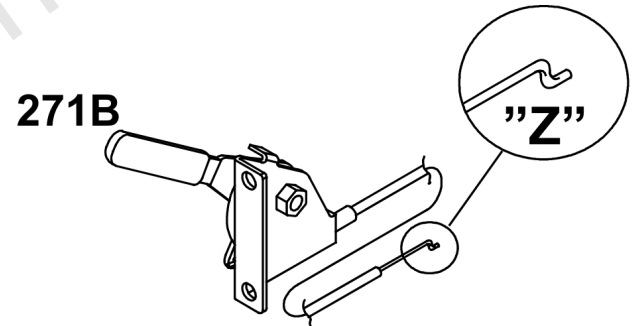
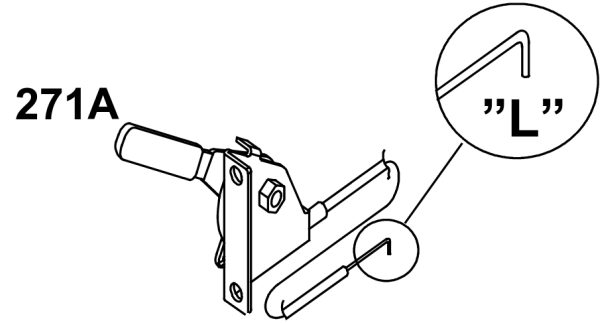
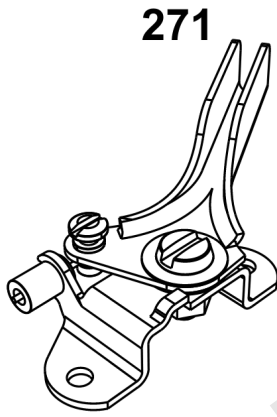
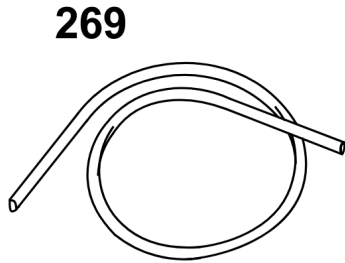
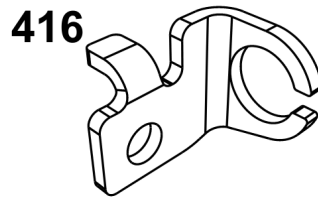
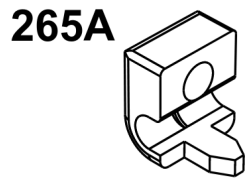
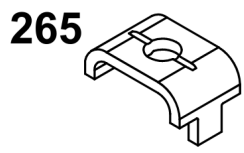


Not For  
Reproduction

## *Flywheel Guards*

REF NO	PART NO	QTY	DESCRIPTION
563	799360	1	SCREW -(Debris Screen Guard)
563A	597574	1	SCREW -(Debris Screen Guard)
563B	799359	1	SCREW -(Debris Screen Guard)
949	799357	1	GUARD, Debris Screen -(Static Cover Flywheel) (Requires 4 x 799360 Screw)
949A	797420YP	1	GUARD, Debris Screen -(Static Cover Flywheel High Flow) (Requires 4 x 799360 Screw)
949B	593206	1	GUARD, Debris Screen -(Static Cover Flywheel) (Requires 4 x 799359 Screw)
949C	597573	1	GUARD, Debris Screen -(Wire Static Flywheel Cover) (Requires 4x 597574 Screw) (For Commercial Series)

Not For Reproduction

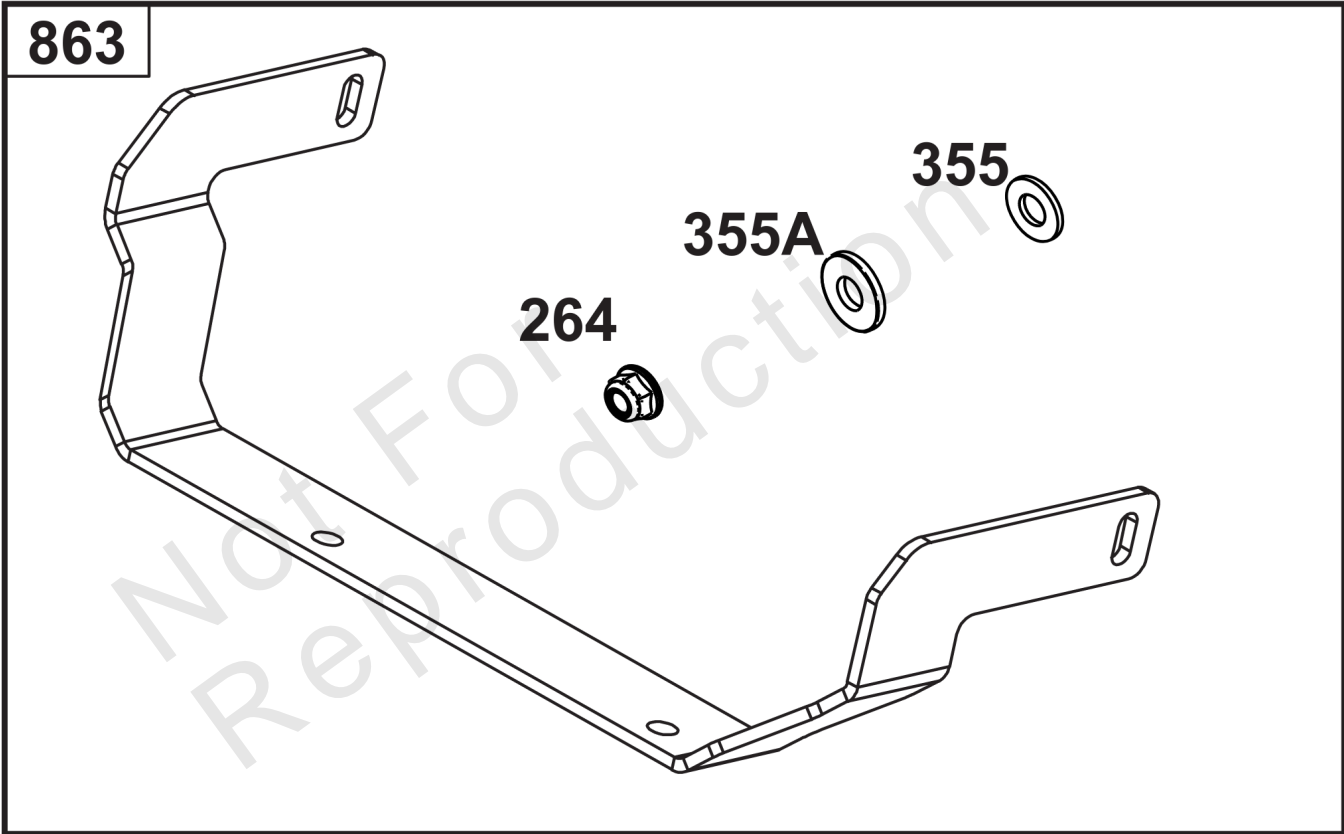
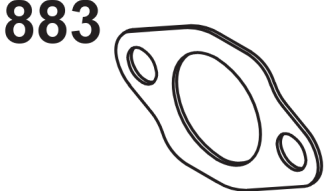


Not For  
Reproduction

## Speed Control

REF NO	PART NO	QTY	DESCRIPTION
265	691024	1	CLAMP, Casing -(Casing Clamp for Hard Casing)
265A	690798	1	CLAMP, Casing -(Casing Clamp for Soft Casing)
267	792629	1	SCREW -(Screw for Casing Clamp)
269	93907	1	WIRE, Control -(Control Wire 100')
271	691028	1	LEVER, Control -(Speed Control Lever Assembly)
271A	692105	1	LEVER, Control -("L" formed end Speed Control Lever Assembly)
271B	692541	1	LEVER, Control -("Z" formed end Speed Control Lever Assembly)
416	595196	1	BRACKET, Throttle Cable -(Casing Clamp for Snap-In Casing)

Not For Reproduction



## Muffler Mounting Hardware

REF NO	PART NO	QTY	DESCRIPTION
264	703465	4	NUT, 5/16-18, GR5 -(Muffler Adapter)
296	591756	4	STUD -(Muffler)
355	5025292SM	4	WASHER, 5/16" GD.9 FL -(Muffler Bracket)
355A	5025155SM	2	WASHER, 5/16 -(Muffler Bracket)
613	690341	4	SCREW -(Muffler)
613A	690363	4	SCREW -(Muffler)
863	597480	1	BRACKET, Muffler
883	594365	2	GASKET, Exhaust
883A	690970	2	GASKET, Exhaust
1177	690941	4	NUT -(Muffler)

Not For Reproduction

# **WANGUARD<sup>®</sup>**

**COMMERCIAL POWER**



**BRIGGS & STRATTON<sup>®</sup>**